

PILECAP SCHEDULE

PILECAP MKD.	PILECAP REINFORCEMENT DETAILS								SIDE FACE BARS (SF)
	REINFORCEMENT PARALLEL TO A				REINFORCEMENT PARALLEL TO B				
	BOTTOM	LAYER	TOP	LAYER	BOTTOM	LAYER	TOP	LAYER	
PC1	16T@200/C	BL1	16T@200/C	TL1	16T@200/C	BL2	16T@200/C	TL2	3-12T
PC2	16T@200/C	BL1	16T@200/C	TL1	16T@200/C	BL2	16T@200/C	TL2	5-12T
PC3	16T@150/C	BL1	16T@150/C	TL1	16T@150/C	BL2	16T@150/C	TL2	6-12T

ANCHOR BOLT SCHEDULE

TAG NO.	DIA.	TYPE	EMBEDDED LENGTH (BELOW T.O.C)	GROUT	CHAIR HEIGHT/BASE PLATE THICKNESS	CLEAR PROJECTED LENGTH (ABOVE CHAIR/BASE PLATE)	TOTAL PROJECTED LENGTH (ABOVE T.O.C) (b+c+d)	TOTAL LENGTH (a+b+c+d)	TREADED LENGTH	NOS.	SCOPE OF SUPPLY
C1 TO C20	M20	B	500	50	20	60	130	630	70	80	CIVIL CONTRACTOR

SCHEDULE OF IP

IP	QTY (NOS.)
IP3	58
IP12	18
IP7	25

NOTES:-
 1. ALL DIMENSIONS ARE IN MM AND LEVELS ARE IN METERS (UNO)
 2. FOR ALL OTHER NOTES REFER : 0130-CI-USD-0028 & 0130-CI-USD-0030

LEGEND FOR PILE CAP:-
 TL1 - TOP REINFORCEMENT ALONG A
 TL2 - TOP REINFORCEMENT ALONG B
 BL1 - BOTTOM REINFORCEMENT ALONG A
 BL2 - BOTTOM REINFORCEMENT ALONG B
 SF - SIDE FACE REINFORCEMENT
 MKD - MARKED
 NTS - NOT TO SCALE
 UNO - UNLESS NOTED OTHERWISE

ENGINEERING REFERENCE DRAWINGS:-

SR. NO.	DRAWING NO.	DESCRIPTION
1.	0130-PI-UG-0001	OVERALL PLOT PLAN 240 TPD CAUSTIC SODA PLANT
2.	0130-MQ-UF-0123	DETAILS OF HYDROGEN GAS HOLDER- V41003

CONSTRUCTION REFERENCE DRAWINGS:-

SR. NO.	DRAWING NO.	DESCRIPTION
1.	0130-CI-USD-0028	GENERAL & SPECIFICATION NOTES FOR RCC WORK
2.	0130-CI-USD-0030	GENERAL & SPECIFICATION NOTES FOR RCC WORK
3.	0130-CI-URC-0312	LAYOUT OF PILES, PILE CAPS & GRADE BEAMS
4.	CI-USD-0001	DETAILS OF ANCHOR BOLTS
5.	CI-USD-0008	DETAILS OF INSERT PLATE

HOLD LIST:-

HOLD	DESCRIPTION OF HOLD	ACTION BY
HOLD 1	RC DETAIL FOR EQUIPMENT V41003	PI

SCHEDULE OF INSERT PLATES

SR.	COL. NO.	FACE	IP TYPE	EL.(+) OF IP	REQUIREMENT	REMARKS
1	C2 TO C8	SOUTH	IP3	106.075 104.975 103.975	VERTICAL CLADDING	
2	C12 TO C18	NORTH	IP3	106.075 104.975 103.975	VERTICAL CLADDING	
3	C20	EAST	IP3	106.075	VERTICAL CLADDING	
4	C10	WEST	IP3	106.075 104.975 103.975	VERTICAL CLADDING	
5	C9	SOUTH	IP3	106.075 104.975 103.975	VERTICAL CLADDING	
6	C19	NORTH	IP3	106.075 104.975 103.975	VERTICAL CLADDING	
7	C1	SOUTH	IP3	106.075 104.975 103.975	VERTICAL CLADDING	
8	C11	NORTH	IP3	106.075 104.975 103.975	VERTICAL CLADDING	
9	C2 TO C8	TOP OF CORBEL	IP12	106.400 (TOS)	GANTRY SUPPORT	
10	C1,C9	TOP OF BEAM	IP12	106.400 (TOS)	GANTRY SUPPORT	
11	C13 TO C19	SOUTH	IP7	104.900 103.900 103.100	FOR PIPERACK	
12	C20	EAST	IP7	103.900 103.100	FOR PIPERACK	
13	C21	NORTH	IP7	105.920 105.120	FOR PI	

BILL OF MATERIAL

STEEL DIA.(mm)	8T	10T	12T	16T	20T	25T	TOTAL
M.T	2.06	0.19	1.95	6.7	4.3	0.38	15.58

UAN: T08 Document ID: T05 Part: T069 Revision: T014

Store Location: Server/Share Document-ID-BAR-Code

Store Location: Folder

Store Name

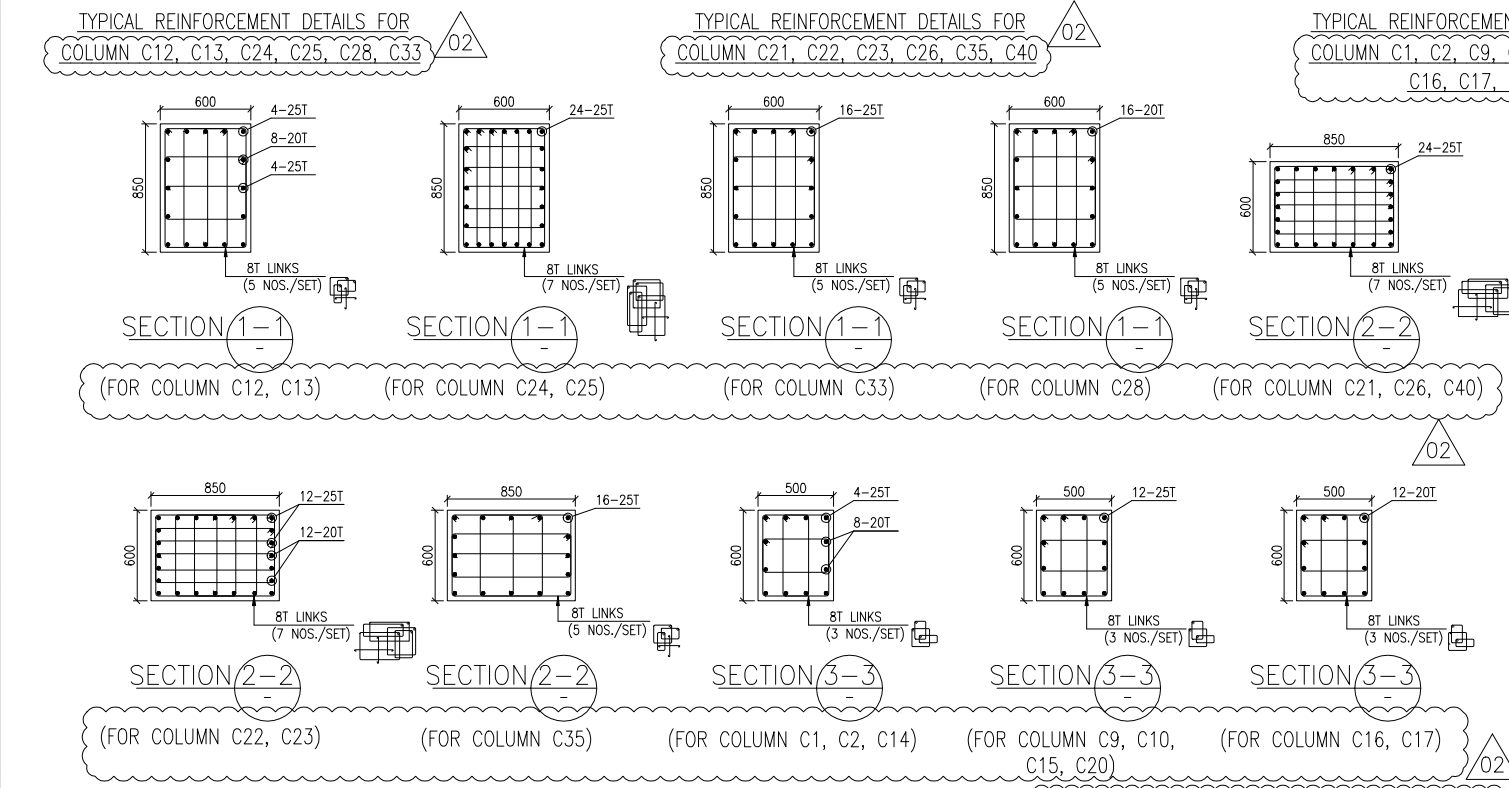
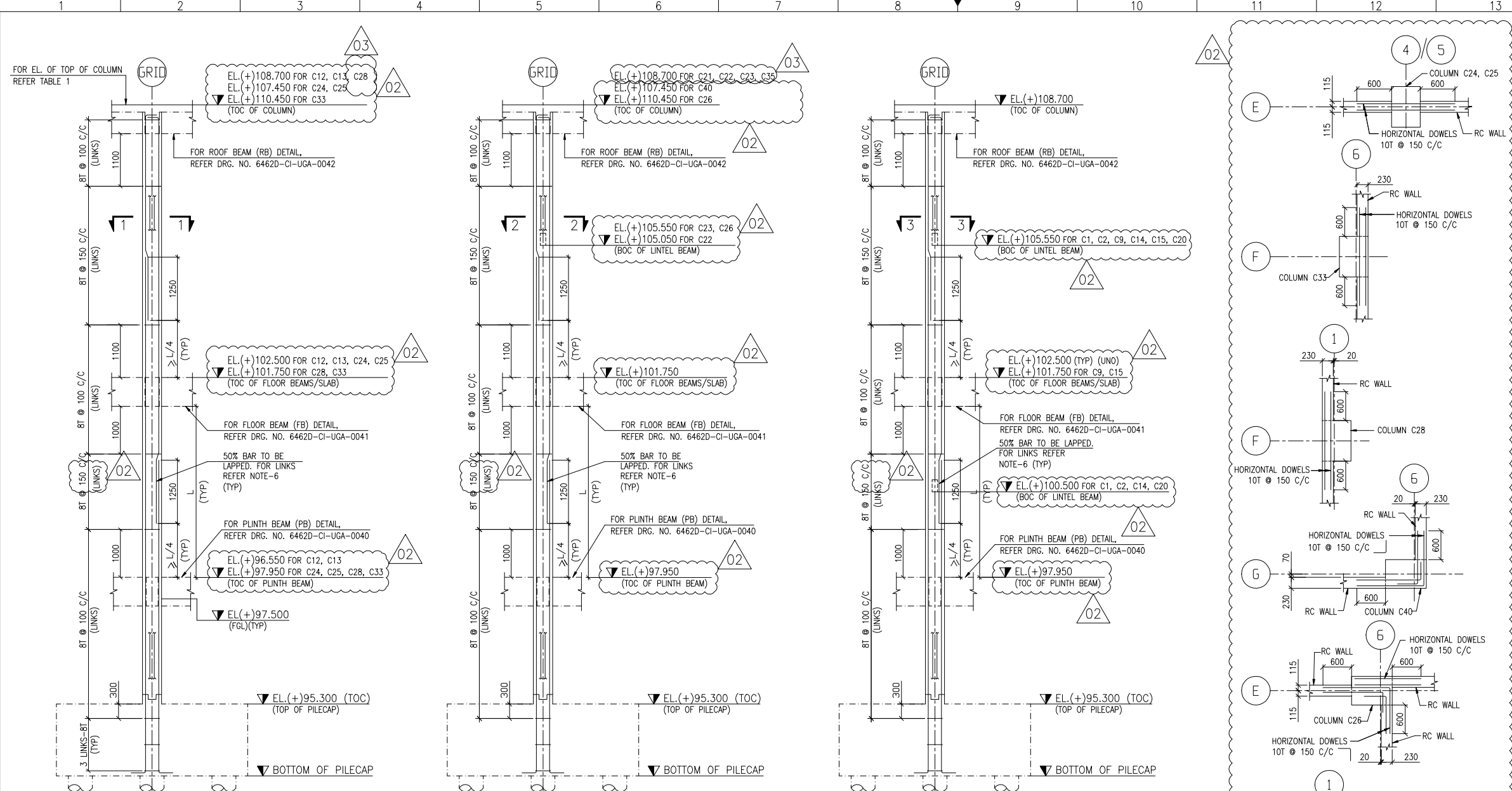
Pro. Unit: T04 Con. Unit: T071 TON: T050 Type of Document: T053 Order No.: T070 Tot. Sheets: T07

T020
T021
T022
T023

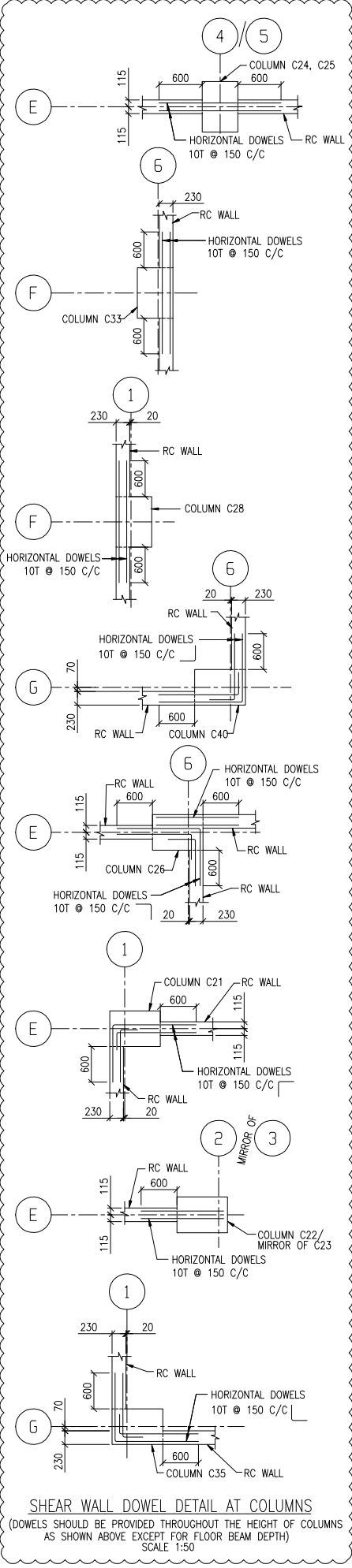
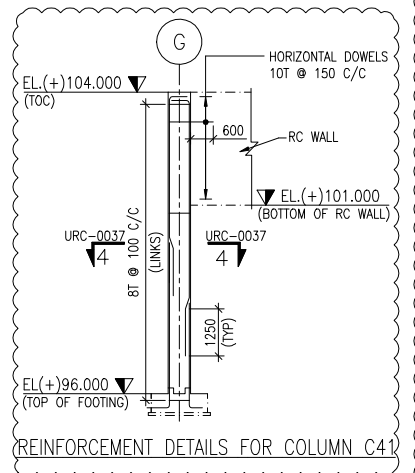
Date: T056 Name: T057 Designation: T09
 Prepared: T016 T017 T010
 Checked: T026 T027 2 T011
 Approved: T028 T029 T012
 Scale: T018 T051 T052 T054 T019

Date: T010.07 ASH PP/ST SA/-/10.10.07 JA/MW SA/-/10.10.07 SK/SK SA/-/10.10.07
 Date: T02 Name: T03 Date: T04 Name: T05 Date: T06 Name: T07 Date: T08 Name: T09
 Date: T10 Name: T11 Date: T12 Name: T13 Date: T14 Name: T15 Date: T16 Name: T17 Date: T18 Name: T19

Co-Checked: T20 T21 T22 T23 T24 T25 T26 T27 T28 T29 T30 T31 T32 T33 T34 T35 T36 T37 T38 T39 T40 T41 T42 T43 T44 T45 T46 T47 T48 T49 T50 T51 T52 T53 T54 T55 T56 T57 T58 T59 T60 T61 T62 T63 T64 T65 T66 T67 T68 T69 T70 T71 T72 T73 T74 T75 T76 T77 T78 T79 T80 T81 T82 T83 T84 T85 T86 T87 T88 T89 T90 T91 T92 T93 T94 T95 T96 T97 T98 T99 T100



FOR LINTEL BEAM REINFORCEMENT DETAIL AT COLUMNS REFER DWG. NO. 6462D-CI-UGA-0050 & 51



- NOTES:-
- 1) ALL DIMENSIONS ARE IN MILLIMETERS, ELEVATIONS & CO-ORDINATES ARE IN METERS.
 - 2) ELEVATION 98.00 (HPP OF UNIT) CORRESPONDS TO RL 29.85M ABOVE MSL
 - 3) THE COMPRESSIVE STRENGTH OF CONCRETE AT 28 DAYS MONITORED BY CUBE TEST SHALL BE 25MPA
 - 4) MATERIAL OF CONSTRUCTION :
A) GRADE OF R.C.C - M25
B) GRADE OF P.C.C - M10/M7.5
C) REINFORCEMENT - GRADE Fe500 CONFIRMING TO IS:1786
 - 5) FOR GENERAL NOTES REF.DRG.NO. 6462D-CI-USD-0028 & 6462D-CI-USD-0030
 - 6) DUCTILE DETAILING SHALL BE AS PER IS 13920 :1993.REFER DRG. NO. 6462D-CI-USD-0101

LEGEND:-
TOC - TOP OF CONCRETE
FGL - FINISH GRADE LEVEL
RCC - REINFORCEMENT CEMENT CONCRETE
UNO - UNLESS NOTED OTHERWISE

ENGINEERING REFERENCE DRAWINGS:-

SR. NO.	DRAWING NO.	DESCRIPTION
1	6462D-EL-USS-0001	GENERAL ARRANGEMENT LAYOUT SUBSTATION AND RACK ROOM PLAN AND SECTION

CONSTRUCTION REFERENCE DRAWINGS:-

SR. NO.	DRAWING NO.	DESCRIPTION
1	6462D-CI-USD-0028	GENERAL & SPECIFICATION NOTES FOR RCC WORK SHEET-1
2	6462D-CI-USD-0030	GENERAL & SPECIFICATION NOTES FOR RCC WORK SHEET-2
3	6462D-CI-UGB-0035	LAYOUT OF PILECAP, TIE BEAM & COLUMN
4	6462D-CI-UGA-0040	LAYOUT OF PLINTH BEAM
5	6462D-CI-UGA-0041	LAYOUT OF FIRST FLOOR BEAM
6	6462D-CI-UGA-0042	LAYOUT OF ROOF BEAM
7	6462D-CI-URC-0032	RC DETAIL OF PILECAP & TIEBEAM FOR SUBSTATION & RACK ROOM (SHEET 1 OF 2)
8	6462D-CI-URC-0033	RC DETAIL OF PILECAP & TIEBEAM FOR SUBSTATION & RACK ROOM (SHEET 2 OF 2)
9	6462D-CI-URC-0034	RC DETAIL OF PLINTH BEAM (SHEET 1 OF 2)
10	6462D-CI-URC-0035	RC DETAIL OF PLINTH BEAM (SHEET 2 OF 2)
11	6462D-CI-URC-0037	RC DETAIL OF COLUMN (SHEET 2 OF 2)
11	6462D-CI-USD-0101	DUCTILE DETAILING OF RCC COLUMN AS PER IS:13920
12	6462D-CI-USD-0102	DUCTILE DETAILING OF RCC BEAM AS PER IS:13920

HOLD LIST:-

HOLD	DESCRIPTION OF HOLD	ACTION BY
1	COLUMN ABOVE EL. (+)101.750 & EL. (+)102.550	CI

BILL OF MATERIAL:-

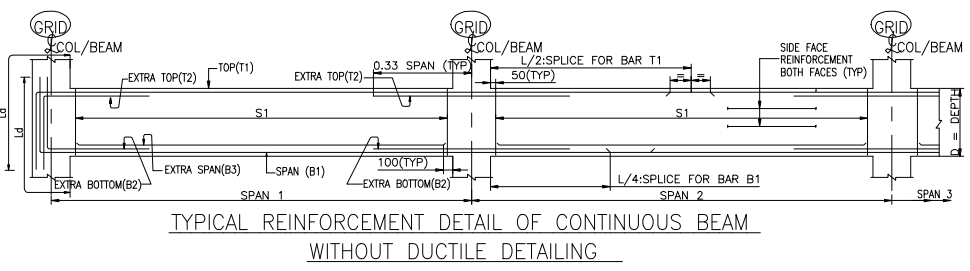
CONCRETE	QTY. (Cu.M)	REINFORCEMENT	QTY. WITHOUT LAPS & WASTAGES (MT)
M25	192.00	8T	12.30
		10T	3.15
		12T	0.05
		16T	0.25
		20T	6.50
		25T	21.60
		TOTAL	43.85

READ THIS DRG. IN CONJUNCTION WITH 6462D-CI-UGA-0040 & 6462D-CI-UGB-0035

UAN	Document ID	Code	Part	Group	Rev.
Store Location: Server/Share	Document-ID-BAR-Code				
Store Location: Folder					
Store Name					
Pro. Unit	Con. Unit	TON	Type of Document	Order No.	Tot. Sheets

PROJECT : MSO UPGRADEATION , DIGBOI

Rev.	Date	Name	Description	Scale	Cat. Code	Acc. Code	Status					
03	20.08.09	NMK	RJ	20.08.09	JA/ARJ	20.08.09	BHP	DETAIL OF C41 ADDED & REVISED AS MARKED				
02	28.07.09	RPR	Rsd/-	28.07.09	JA/ARJ sd/-	28.07.09	BHP	SD/-				
01	16.04.09	ASH	RJ	16.04.09	JA/AST SA/-	16.04.09	ABG	SA/-				
00	27.02.09	ASH	RJ	27.02.09	JA/AST SA/-	27.02.09	ABG	SA/-				



S1 — STIRRUP DESCRIPTION
 Ld — DEVELOPMENT LENGTH IN TENSION
 d — EFFECTIVE DEPTH
 L — CLEAR SPAN OF BEAM

SECTION OF BEAM WITH 2 LEGGED STIRRUPS

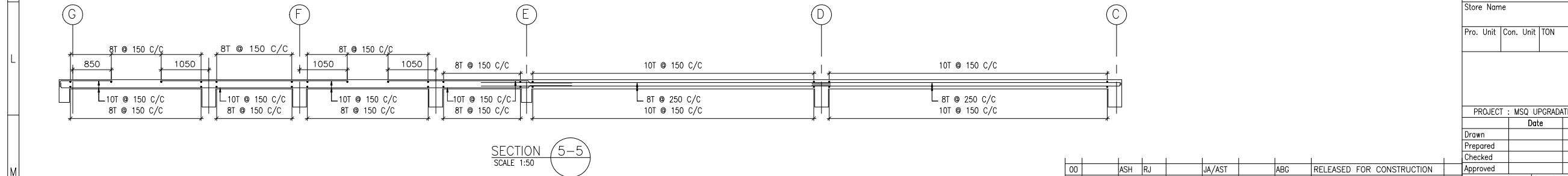
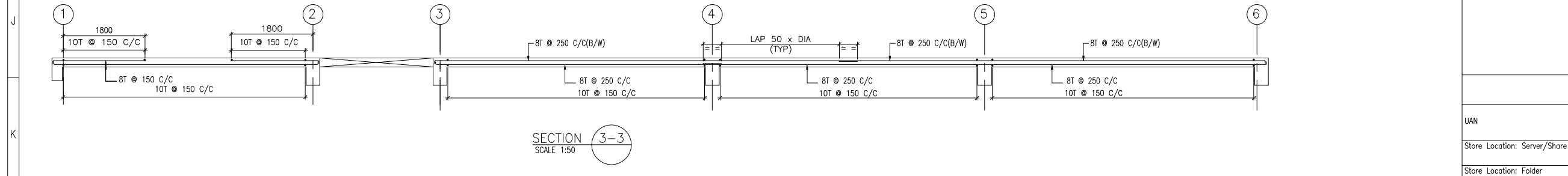
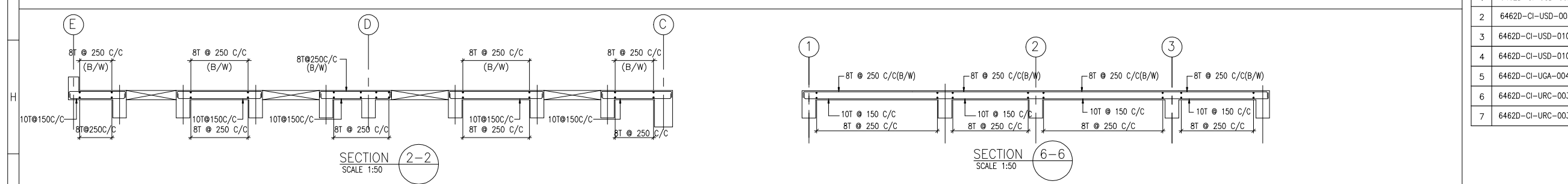
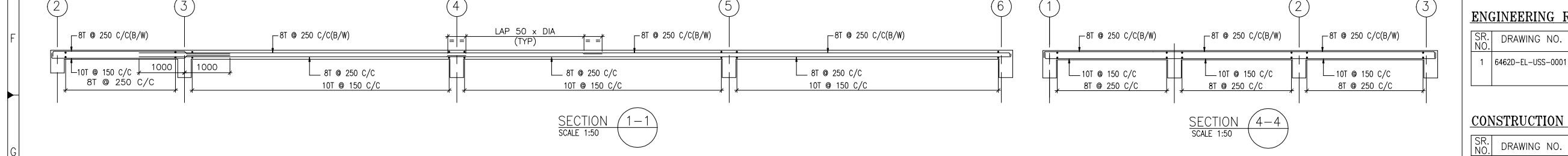
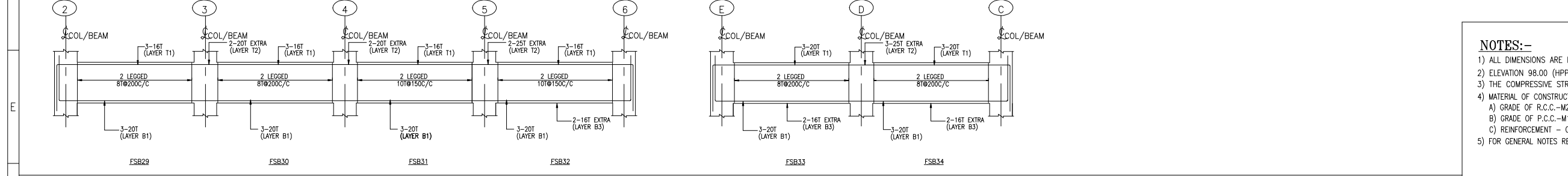
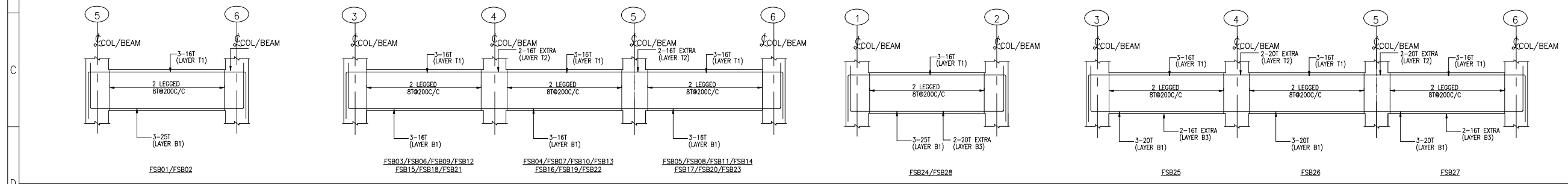
SECTION OF BEAM WITH 4 LEGGED STIRRUPS

LAP SPLICE IN BEAM

ACTUAL DETAIL AT BEAM COLUMN JUNCTION FOR BEAMS WITH DIFFERENT DEPTHS

NOTE:
 THE BEAM DEPTH ON EITHER SIDE OF COLUMN OR THE SUPPORTING BEAM IN CROSS SECTION AS INDICATED IN THIS DRAWING MAY NOT BE A TRUE REPRESENTATION. FOR ACTUAL DIMENSIONS AT BEAM COLUMN JUNCTION REFER RESPECTIVE LAYOUT DRAWING.
 THIS DRAWING REPRESENTS THE REINFORCEMENT DETAILS LIKE NUMBER, DIA & SPACING OF BARS AND SHALL BE USED APPROPRIATELY CONSIDERING ACTUAL DIMENSIONS AT BEAM COLUMN JUNCTION AS PER THE LAYOUT DRAWING.

a) NOT MORE THAN 50% BARS SHALL BE SPICED AT ONE SECTION
 b) STAGGER SPICE LOCATIONS BY DISTANCE Ld



NOTES:-
 1) ALL DIMENSIONS ARE IN MILLIMETERS, ELEVATIONS & CO-ORDINATES ARE IN METERS.
 2) ELEVATION 98.00 (HPP OF UNIT) CORRESPONDS TO RL 29.85M ABOVE MSL
 3) THE COMPRESSIVE STRENGTH OF CONCRETE AT 28 DAYS MONITORED BY CUBE TEST SHALL BE 25MPA
 4) MATERIAL OF CONSTRUCTION
 A) GRADE OF R.C.C.-M25
 B) GRADE OF P.C.C.-M10/M7.5
 C) REINFORCEMENT - GRADE FC 500 CONFORMING TO IS : 1786
 5) FOR GENERAL NOTES REFER. DRG. NO. 6462D-CI-USD-0028 & 6462D-CI-USD-0030

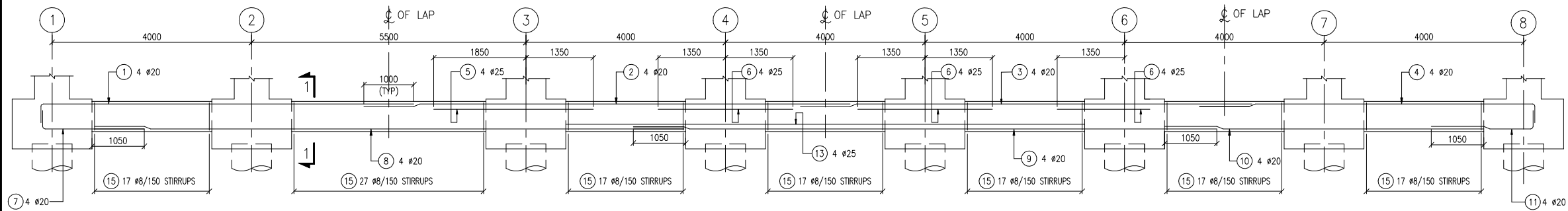
ENGINEERING REFERENCE DRAWINGS:-

SR. NO.	DRAWING NO.	DESCRIPTION
1	6462D-EL-USS-0001	GENERAL ARRANGEMENT LAYOUT SUBSTATION AND RACK ROOM PLAN AND SECTION

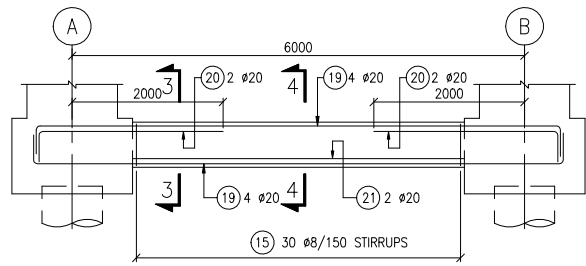
CONSTRUCTION REFERENCE DRAWINGS:-

SR. NO.	DRAWING NO.	DESCRIPTION
1	6462D-CI-USD-0028	GENERAL & SPECIFICATION NOTES FOR RCC WORK SHEET-1
2	6462D-CI-USD-0030	GENERAL & SPECIFICATION NOTES FOR RCC WORK SHEET-2
3	6462D-CI-USD-0101	DUCTILE DETAILING OF RCC COLUMN AS PER IS:13920
4	6462D-CI-USD-0102	DUCTILE DETAILING OF RCC BEAM AS PER IS:13920
5	6462D-CI-UGA-0041	LAYOUT OF FIRST FLOOR BEAM & SLAB AT EL.(+101.700, EL.(+102.500 (T0C)
6	6462D-CI-URC-0038	RC DETAIL OF FIRST FLOOR BEAM AT EL.(+101.700 & EL.(+102.500 (T0C) (SHEET-1)
7	6462D-CI-URC-0039	RC DETAIL OF FIRST FLOOR BEAM AT EL.(+101.700 & EL.(+102.500 (T0C) (SHEET-2)

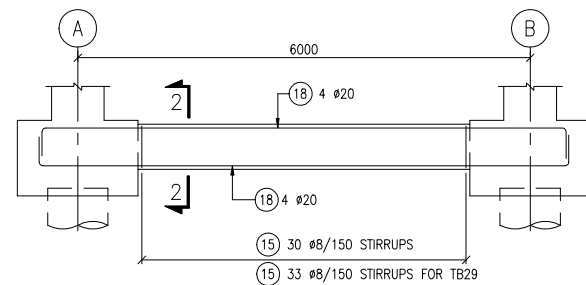
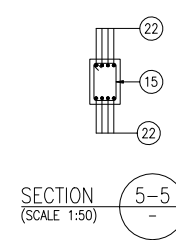
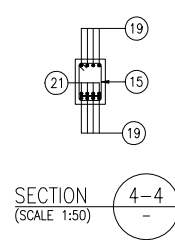
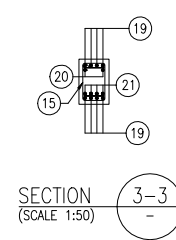
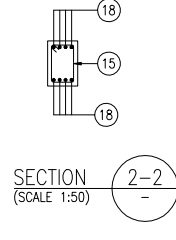
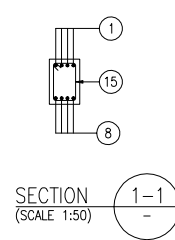
Code		Part	Group	Rev.
UAN	Document ID			
Store Location: Server/Share		Document-ID-BAR-Code		
Store Location: Folder				
Store Name				
Pro. Unit	Con. Unit	TON	Type of Document	Order No.
				Tot. Sheets
PROJECT : MSQ UPGRADATION , DIGBOI				
Drawn	Date	Name	Description	
Prepared				
Checked				
Approved				
Rev.	Date	ASH	RJ	JA/AST
	Drawn/Prepared	Date	Name	Date
		Checked	Name	Approved
			Name	Name
			Approved	Approved
			Released For Construction	Released For Construction
			Description	Description
			Scale	Scale
			Acc. Code	Acc. Code
			Status	Status



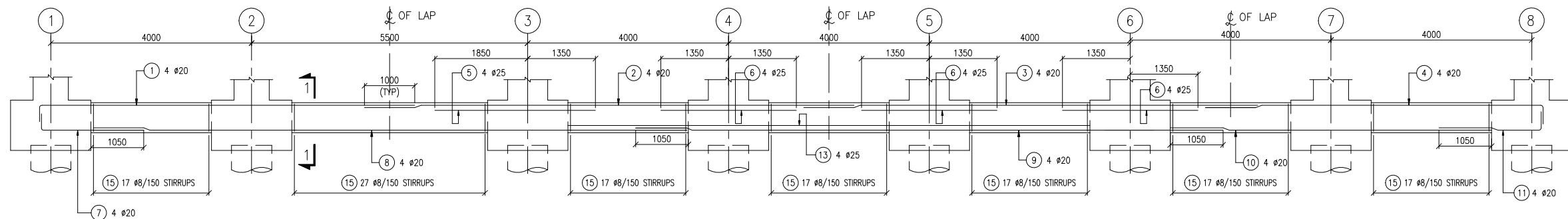
TYP. REINFORCEMENT DETAIL OF TIE BEAM ALONG GRID-A
 MARKED AS TB1 TO TB7
 (PEDESTAL & PILE CAP REINFORCEMENT NOT SHOWN FOR CLARITY)



TYP. REINFORCEMENT DETAIL OF TIE BEAM
 MARKED AS TB17 TO TB20
 (PEDESTAL & PILE CAP REINFORCEMENT NOT SHOWN FOR CLARITY)

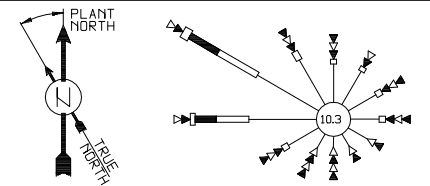


TYP. REINFORCEMENT DETAIL OF TIE BEAM
 MARKED AS TB15, TB16, TB21, TB22
 (PEDESTAL & PILE CAP REINFORCEMENT NOT SHOWN FOR CLARITY)



TYP. REINFORCEMENT DETAIL OF TIE BEAM ALONG GRID-B
 MARKED AS TB8 TO TB14
 (PEDESTAL & PILE CAP REINFORCEMENT NOT SHOWN FOR CLARITY)

NOTES



- GENERAL NOTES FOR FOUNDATION:
- ALL DIMENSIONS ARE IN MM & LEVELS ARE IN METERS U.N.O.
 - REF. EL.+100.000 CORRESPONDS TO LEVEL +3.25M ABOVE DGNHD.
 - a. REINFORCE CONCRETE SHALL BE OF MINIMUM STRENGTH 30MPa AT 28 DAYS
 b. REINFORCING STEEL SHALL BE HIGH YIELD DEFORMED BARS OF 460 N/mm² CONFORMING TO BS 4449 AND EPOXY COATED.
 - FOR GENERAL NOTES & OTHER DETAILS REFER DRAWING NO. UBS-CE-EB-0003

LEGEND:-

- PD PEDESTAL
 T TOP
 B BOTTOM
 EF EACH FACE

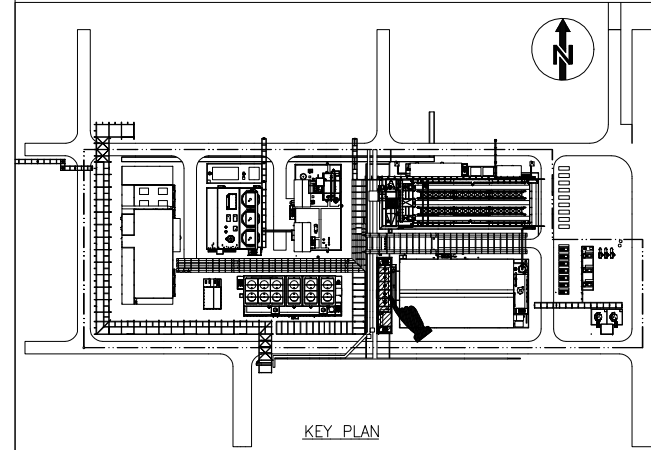
CONSTRUCTION REFERENCE DRAWINGS:-

SR. NO.	DRAWING NO.	DESCRIPTION
1	UBS-CE-EB-0003	GENERAL NOTES FOR CIVIL WORK
2	UBS-CE-LC-0032	AC99 : PILE CAP FORMWORK DRAWING PLAN & SECTIONS
3	UBS-CE-LC-0159	AC99 : RCC DETAILS OF PILE CAP & PEDESTAL

BAR MARKED USED:-

- ① TO ⑳ BAR MARK ⑫ ⑭ ⑯ ⑰ ARE NOT USED
 FOR BAR BENDING SCHEDULE REFER DOCUMENT : UBS-CE-LC-0167-PART-010

THIS DRAWING TO BE READ IN CONJUNCTION WITH DRG. NO. UBS-CE-LB-0032 & UBS-CE-LC-0159



00	04.02.10	ISSUED FOR APPROVAL	JKJ	PDM Sd/-	PAG Sd/-	KMG Sd/-	
REV.	DATE	DESCRIPTION	DRAWN	PREP	CHK'D	APP'D	ACC CODE

OWNER:

CONTRACTOR:

PROJECT NAME:

DOCUMENT-ID-CODE / DOCUMENT-ID-BAR-CODE

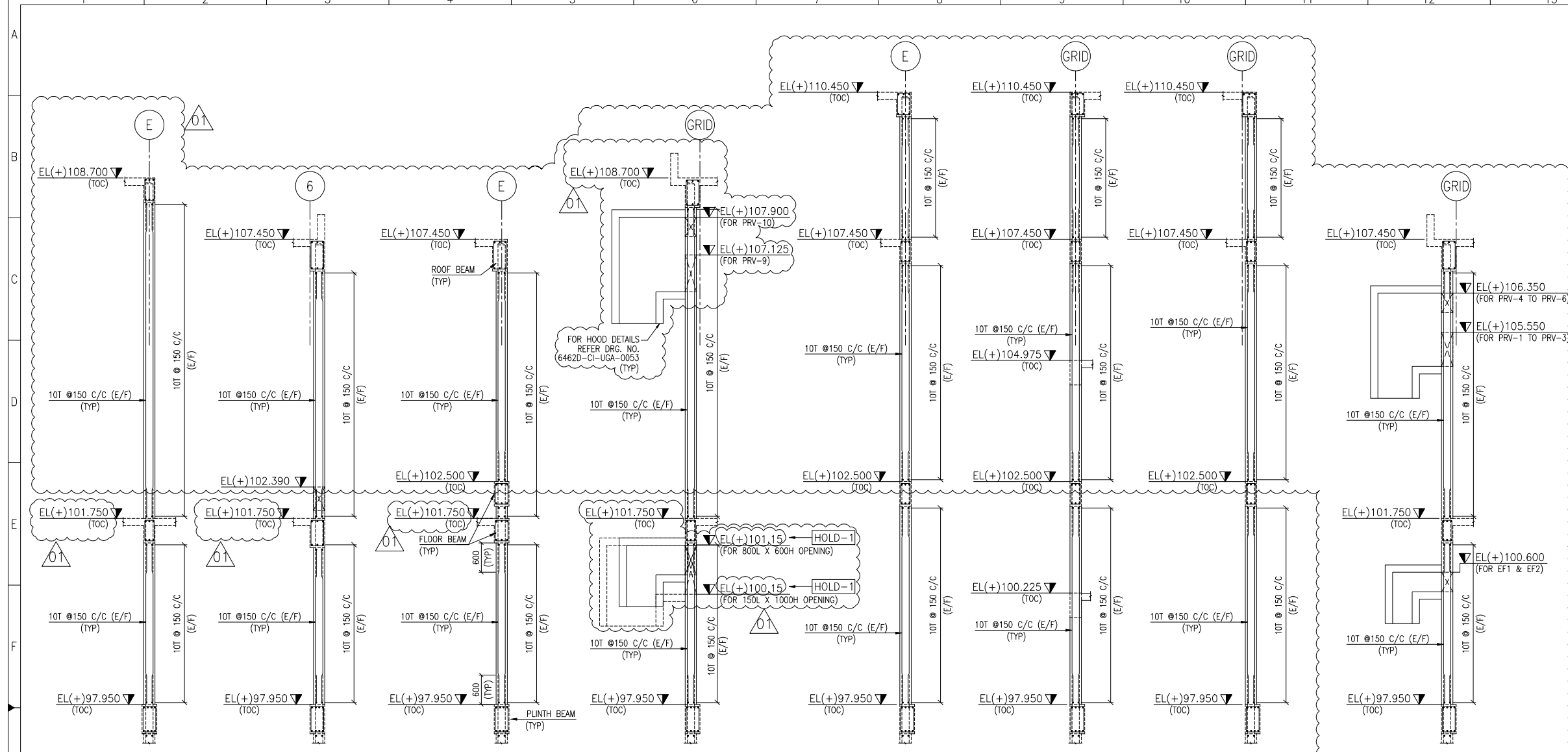
TITLE: STATUS OF DWG:

SCALE: UHDE DWG.NO. CONSTRUCTION UNIT PROCESS UNIT UAN: REV. SHEET

SHEET SIZE: CAT.CODE: ACC.CODE:

SD	-	-	-	-	-	-	-	-
UBS	PDMS	PI	CI	MO	EL	IC	PE	CONS

Co-Checked



SECTION 1-1 SCALE 1:50 UGA-0052 (FOR WALL MKD. AS W1)
 SECTION 2-2 SCALE 1:50 UGA-0052 (FOR WALL MKD. AS W14)
 SECTION 3-3 SCALE 1:50 UGA-0052 (FOR WALL MKD. AS W2, W3, W4)
 SECTION 4-4 SCALE 1:50 UGA-0052 (FOR WALL MKD. AS W7, W8, W12, W13)
 SECTION 5-5 SCALE 1:50 UGA-0052 (FOR WALL MKD. AS W5)
 SECTION 6-6 SCALE 1:50 UGA-0052 (FOR WALL MKD. AS W6, W17)
 SECTION 7-7 SCALE 1:50 UGA-0052 (FOR WALL MKD. AS W15 & MIRROR OF W16)
 SECTION 10-10 SCALE 1:50 UGA-0053 (FOR WALL MKD. AS W9 TO W11)

NOTES:-
 1) ALL DIMENSIONS ARE IN MILLIMETERS, ELEVATIONS & CO-ORDINATES ARE IN METERS.
 2) ELEVATION 98.00 (HPP OF UNIT) CORRESPONDS TO RL 29.85M ABOVE MSL
 3) THE COMPRESSIVE STRENGTH OF CONCRETE AT 28 DAYS MONITORED BY CUBE TEST SHALL BE 25MPA
 4) MATERIAL OF CONSTRUCTION
 A) GRADE OF R.C.C.-M25
 B) GRADE OF P.C.C.-M7.5
 C) REINFORCEMENT - GRADE Fe 500 CONFIRMING TO IS : 1786
 5) FOR GENERAL NOTES, REFER. DRG. NO. 6462D-CI-USD-0028 & 6462D-CI-USD-0030

LEGEND:-
 TOC - TOP OF CONCRETE
 FGL - FINISHED GROUND LEVEL
 UNO - UNLESS NOTED OTHERWISE
 TYP - TYPICAL
 W - WALL

ENGINEERING REFERENCE DRAWINGS:-

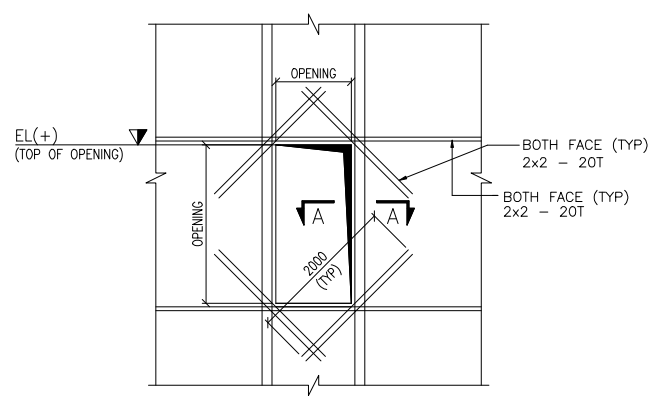
SR. NO.	DRAWING NO.	DESCRIPTION
1	6462D-EL-USS-0001	GENERAL ARRANGEMENT LAYOUT SUBSTATION AND RACK ROOM PLAN AND SECTION

CONSTRUCTION REFERENCE DRAWINGS:-

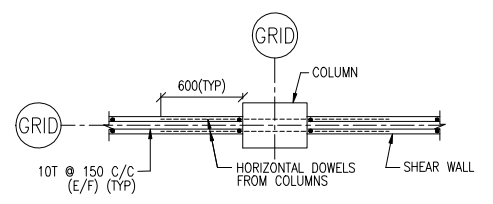
SR. NO.	DRAWING NO.	DESCRIPTION
1	6462D-CI-USD-0028	GENERAL & SPECIFICATION NOTES FOR RCC WORK SHEET-1
2	6462D-CI-USD-0030	GENERAL & SPECIFICATION NOTES FOR RCC WORK SHEET-2
3	6462D-CI-UGA-0040	LAYOUT OF PLINTH BEAM
4	6462D-CI-URC-0034 & 0035	RC DETAIL OF PLINTH BEAM
5	6462D-CI-UGA-0041	LAYOUT OF FIRST FLOOR BEAM
6	6462D-CI-URC-0038 & 0039	RC DETAIL OF BEAM AT EL(+101.750, EL(+102.500) (TOC)
7	6462D-CI-URC-0039A	RC DETAIL OF SLAB AT EL(+101.750, EL(+102.500) (TOC)
8	6462D-CI-UGA-0042	LAYOUT OF ROOF BEAMS AT EL(+107.450 (TOC), EL(+107.550 (TOC) & EL(+108.700 (TOC) FOR SUBSTATION & RACK ROOM
9	6462D-CI-URC-0042 & 0043	RC DETAIL OF BEAM AT EL(+107.450, EL(+107.550, EL(+108.700, EL(+110.450, EL(+111.700) (TOC)
10	6462D-CI-UGA-0052	LAYOUT OF RC WALLS (SHEET 1)
11	6462D-CI-UGA-0053	LAYOUT OF RC WALLS (SHEET 2)

HOLD LIST:-

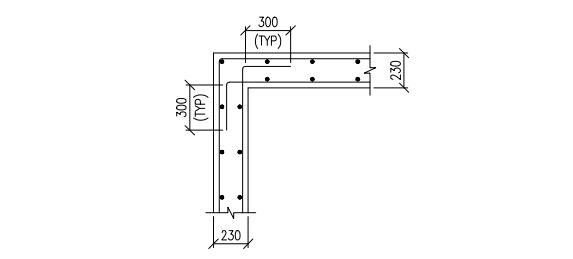
SR. NO.	DESCRIPTION	ACTION BY
1	CUTOUPS IN BLAST PROOF WALL FOR HVAC SYSTEM	PE
2	BLAST PROOF WALL ABOVE EL. (+)101.750	EL/PE



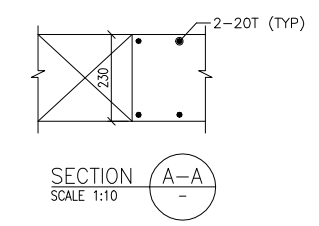
TYPICAL REINFORCEMENT DETAIL AROUND DOOR/ ENTRANCE/ BIG OPENING



TYPICAL PLAN REINFORCEMENT DETAIL OF WALL CORNER AT COLUMN JUNCTION (SCALE 1:25)



TYPICAL PLAN REINFORCEMENT DETAIL OF WALL CORNER (SCALE 1:25)



SECTION A-A SCALE 1:10

SMG	VMS	PCH	01	14.08.09	NK	RJ	14.08.09	JA/BHP	BHP	CUTOUPS ADDED & REVISED AS MARKED										
SMCsd/-	WMSsd/-	PCHsd/-	00	28.07.09	NVK	RJsd/-	28.07.09	JA/BHPsd/-	BHP sd/-	RELEASED FOR CONSTRUCTION										
PI	CI	MQ	EL	IC	PE	CONS	Rev.	Date	Name	Date	Name	Date	Name	Date	Name	Description	Scale	Cat. Code	Acc. Code	Status
Co-Checked																				
Drawn/Prepared																				
Checked																				
Approved																				

Code	Part	Group	Rev.
UAN	Document ID		
Store Location: Server/Share		Document-ID-BAR-Code	
Store Location: Folder			
Store Name			
Pro. Unit	Con. Unit	TON	Type of Document
			Order No.
			Tot. Sheets
PROJECT : MSQ UPGRADATION , DIGBOI			
Drawn	Date	Name	Description
Prepared			
Checked			
Approved			