

TABLE - 1

MEM. MKD.	SECTION
1	2 ISA 75 x 75 x 8
2	2 ISA 75 x 75 x 8
3	2 ISA 65 x 65 x 6
4	2 ISA 65 x 65 x 6
5	2 ISA 65 x 65 x 6
6	2 ISA 65 x 65 x 6
7	2 ISA 65 x 65 x 6
8	2 ISA 75 x 75 x 8
9	2 ISA 65 x 65 x 6
10	2 ISA 65 x 65 x 6
11	2 ISA 65 x 65 x 6
12	2 ISA 75 x 75 x 8
13	2 ISA 65 x 65 x 6
14	2 ISA 75 x 75 x 8

NOTES:-

1. ALL DIMENSIONS ARE IN MILLIMETERS, LEVELS & CO-ORDINATES ARE IN METERS U.N.O.
2. FOR OTHER NOTES REFER DWG. NO. 0130-CI-USD-0026

ENGINEERING REFERENCE DRAWINGS:-

SR. NO.	DRAWING NO.	DESCRIPTION
1.	0130-PI-UG-0001	OVERALL PLOT PLAN
2.	0130-PI-UG-0027	EQPT. ARRANGEMENT PLAN NITROGEN PLANT ; PLANT AIR ; INSTRUMENT AIR SYSTEM; CL2 UNLOADING AIR PLAN AT EL.+100.220 & SECTION A-A/B-B
3.	0130-CI-USD-0026	GENERAL SPECIFICATION FOR STRUCTURAL STEEL

CONSTRUCTION REFERENCE DRAWINGS:-

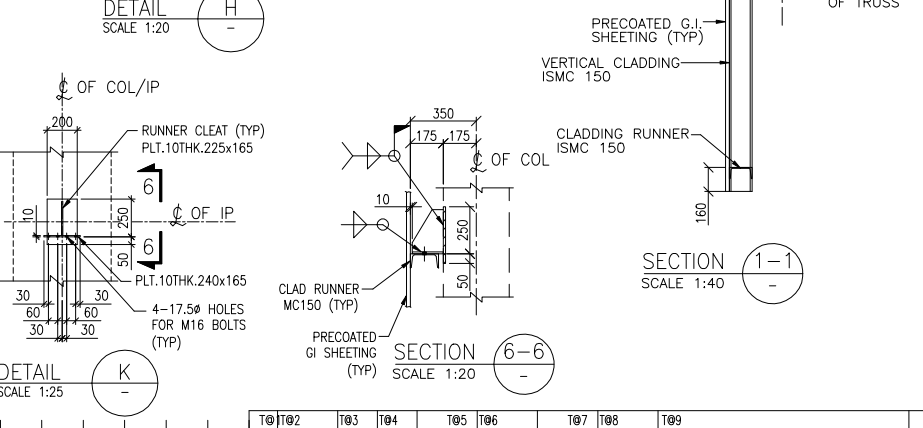
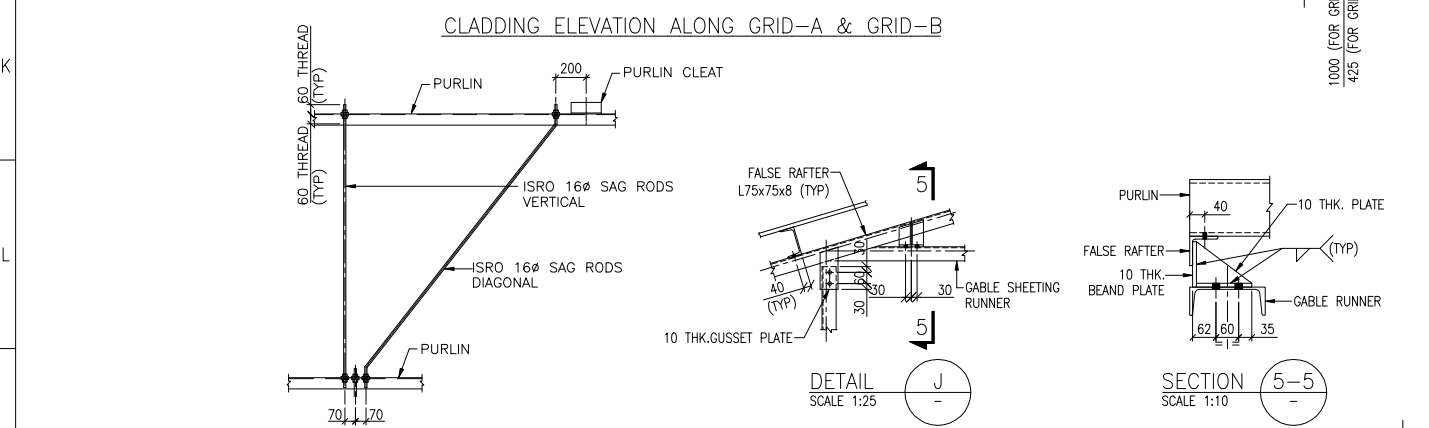
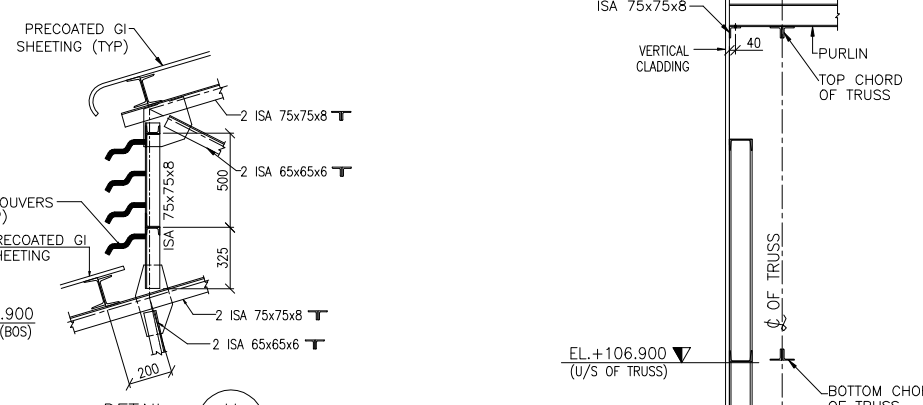
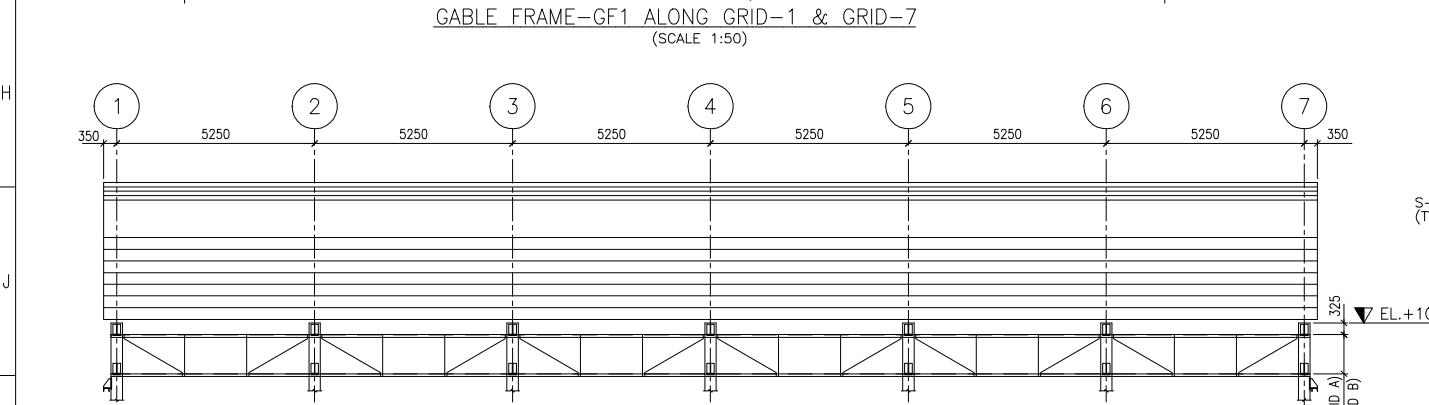
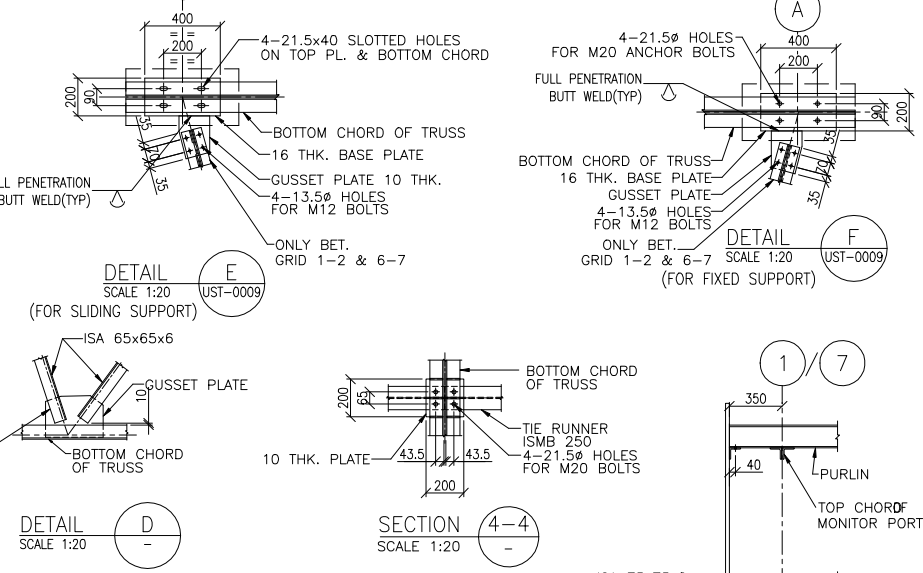
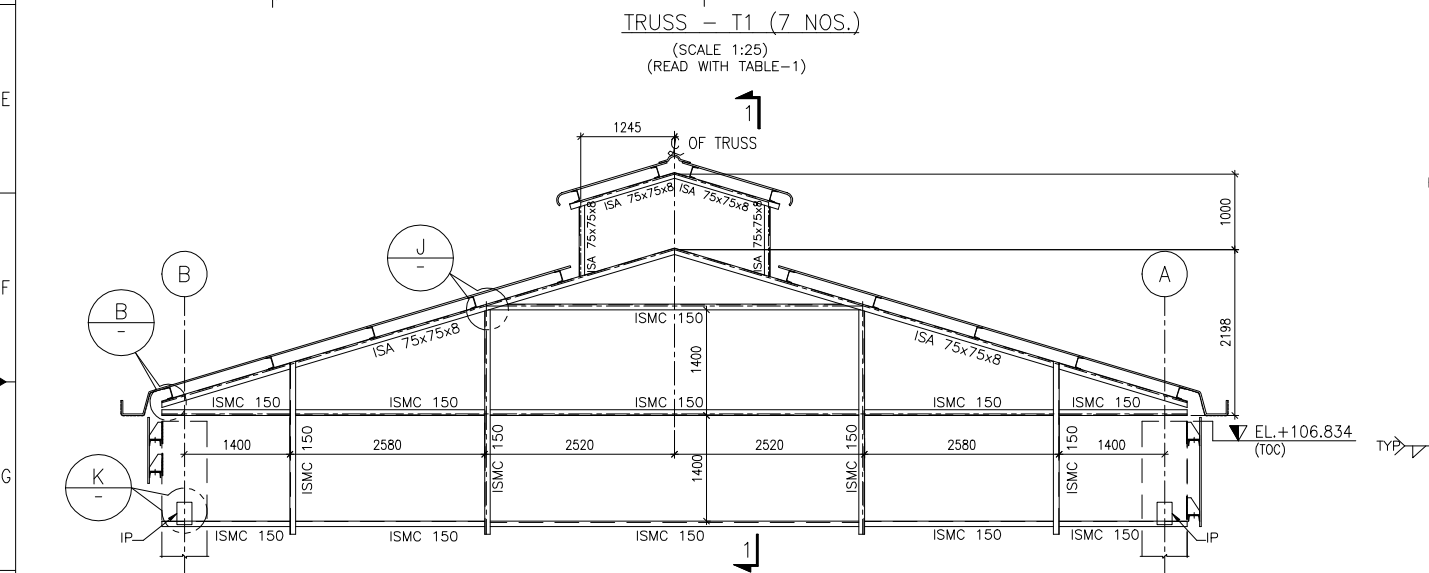
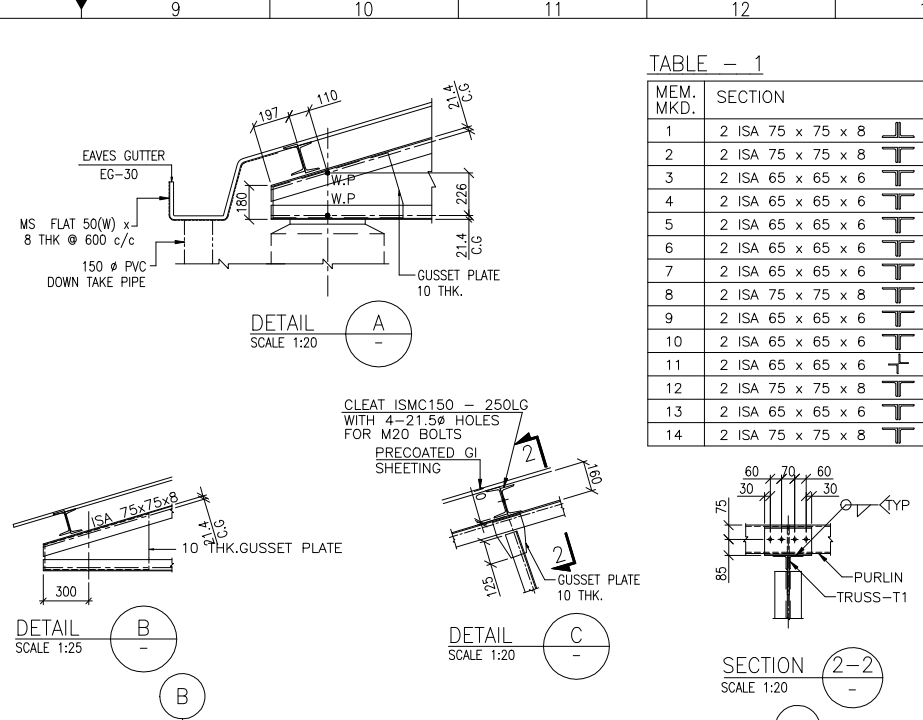
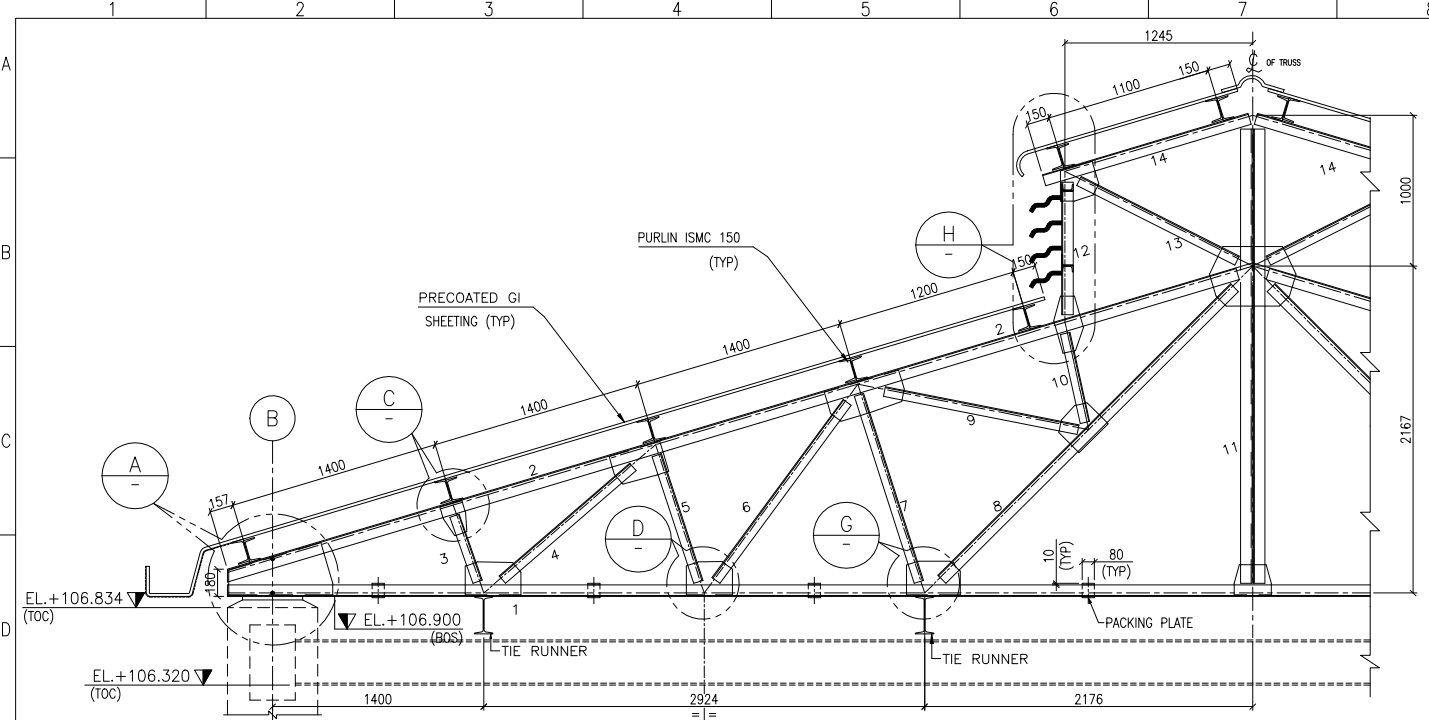
SR. NO.	DRAWING NO.	DESCRIPTION
1.	0130-CI-UST-0009	ROOF LAYOUT & TRUSS DETAILS
2.	CI-USD-0001	DETAILS OF ANCHOR BOLTS

BILL OF MATERIAL

SR. NO.	SECTION	WEIGHT (MT)
1	ISA 75x75x8	5.53
2	ISA 65x65x6	2.02
3	ISA 50x50x6	1.98
4	ISMC 150	11.2
5	ISMC 75	0.88
6	ISMB 250	4.70
7	10 THK. PLT	0.38
8	SAG ROD 16#	0.30
TOTAL		27.00

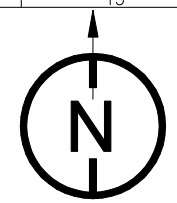
READ THIS DRAWING IN CONJUNCTION WITH DRG.NO. 0130-CI-UST-0009

EL (+) 100.000 CORRESPONDS TO RL. EL (+) 11.850



Rev.	Date	Name	Date	Name	Description
01					

ISO A1



NOTES:-
 1. ALL DIMENSIONS ARE IN MILLIMETERS, LEVELS & CO-ORDINATES ARE IN METERS U.N.O.
 2. FOR OTHER NOTES REFER DWG. NO. 0130-CI-USD-0026

ENGINEERING REFERENCE DRAWINGS:-

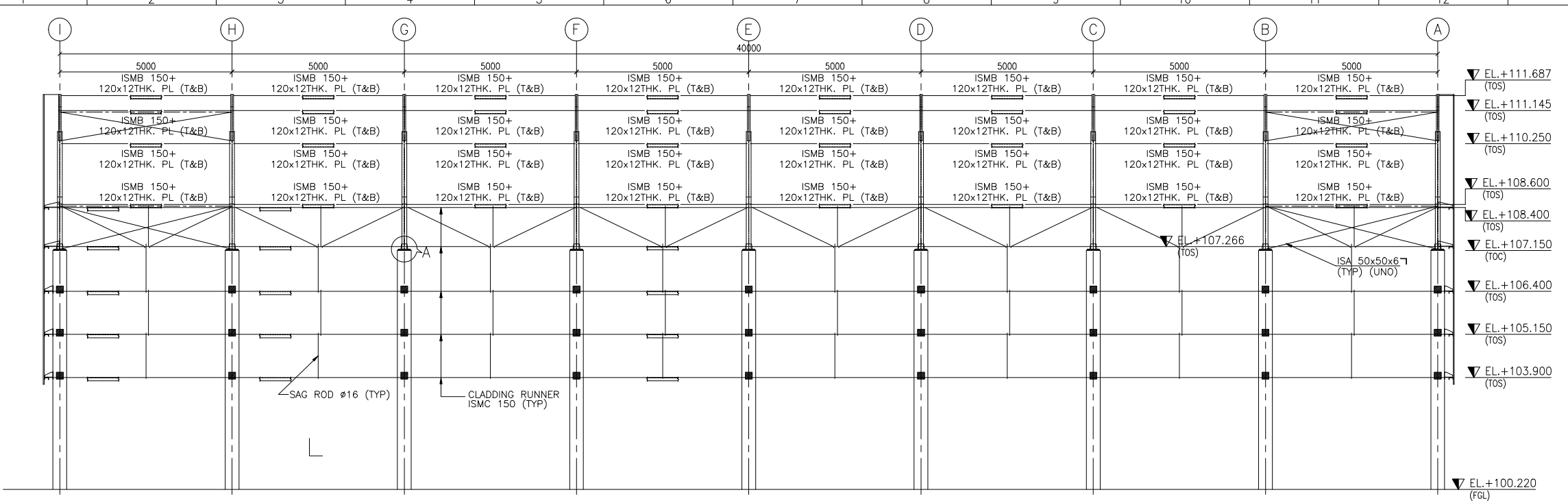
S.R. NO.	DRAWING NO.	DESCRIPTION
1	0130-PI-UG-0001	OVERALL PLOT PLAN
2	0130-PI-UG-0032	EQUIPMENT ARRANGEMENT PLAN
3	0130-PI-UG-0026	GENERAL & SPECIFICATION NOTES FOR STRUCTURAL STEEL

CONSTRUCTION REFERENCE DRAWINGS:-

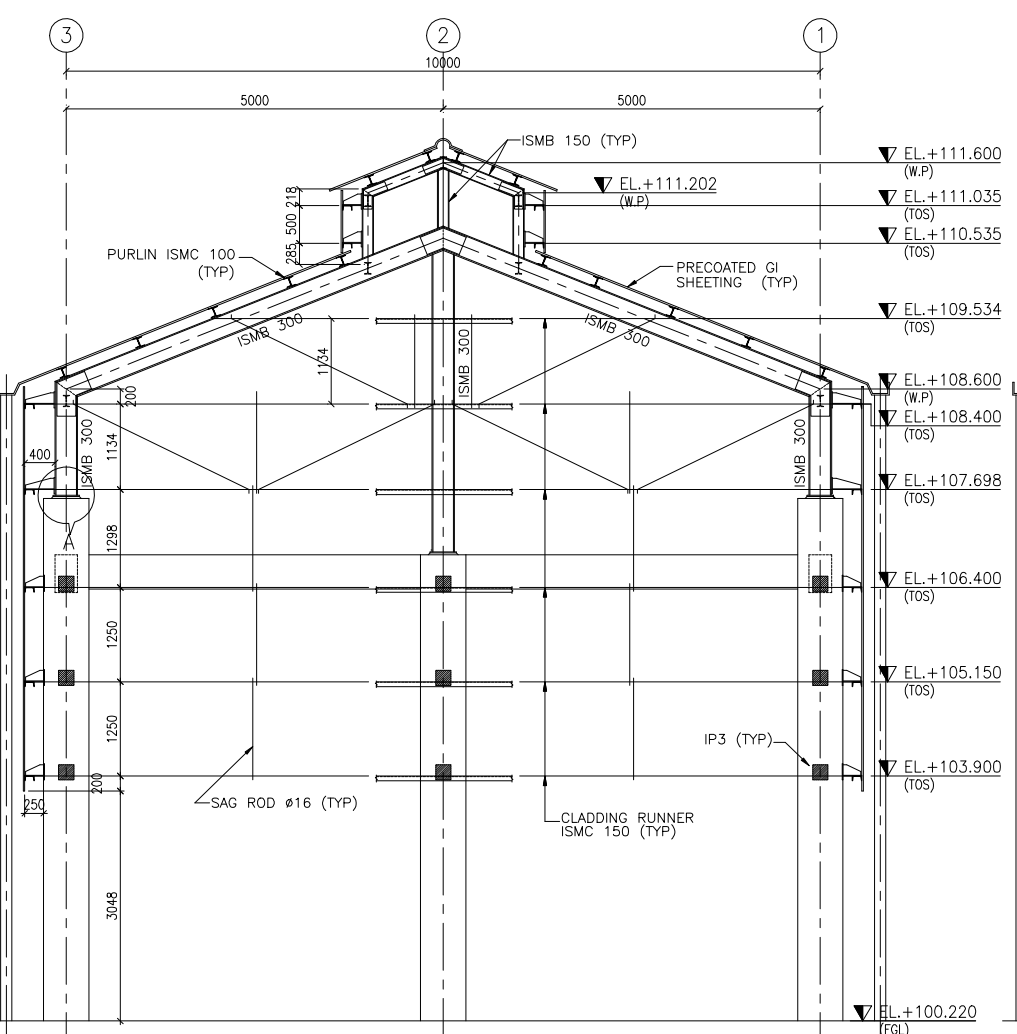
S.R. NO.	DRAWING NO.	DESCRIPTION
1	0130-CI-UST-0315	FRAMING PLAN OF STEEL SUPER STRUCTURE
2	CI-USD-0001	DETAILS OF ANCHOR BOLTS

BILL OF MATERIAL

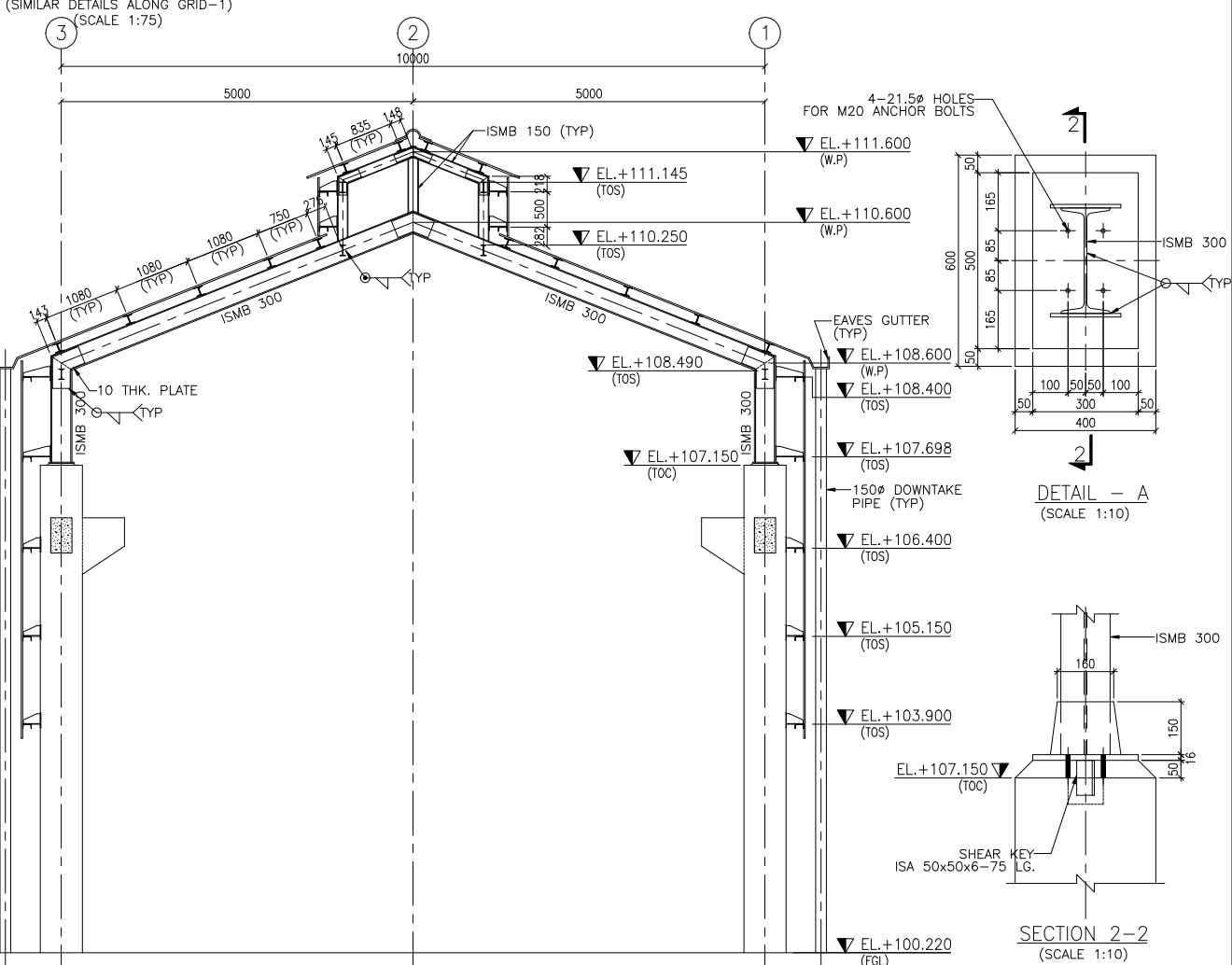
S.NO.	ITEM DESCRIPTION	SECTION	WEIGHT IN TONS
1	PORTAL	ISMB 300	4.30
2	PORTAL MONITOR	ISMB 150	0.70
3	VERTICAL BRACING	ISA 50X50X6	0.77
4	TIE BEAM	ISMB 150+ 12 THK.PL(T&B)	4.17
5	PURLIN CLEAT	ISMC 100	5.15
6	PLAN BRACING	ISA 50X50X6	0.95
7	PLAN BRACING	2 ISA 50X50X6	0.53
8	STRUT	ISA 50X50X6	0.14
9	STUB COLUMN	ISMB 300	1.52
10	12THK PLATE		6.33
11	CLADDING RUNNER	ISMC 150	8.20
12	SAG ROD ϕ 16		0.26
13	GUSSET PLATE	10 THK.	0.50
14	BASE PLATE 350x550	16 THK.	0.04
TOTAL WEIGHT IN TONNS			33.56



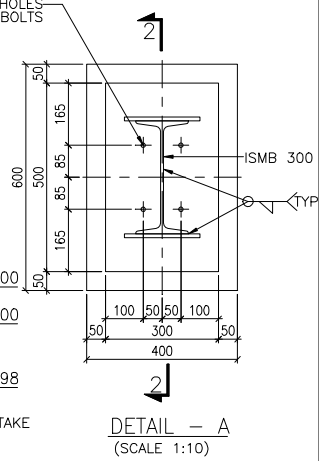
ELEVATION ALONG GRID - 3 (PURLIN NOT SHOWN FOR CLARITY)
 (SIMILAR DETAILS ALONG GRID-1)
 (SCALE 1:75)



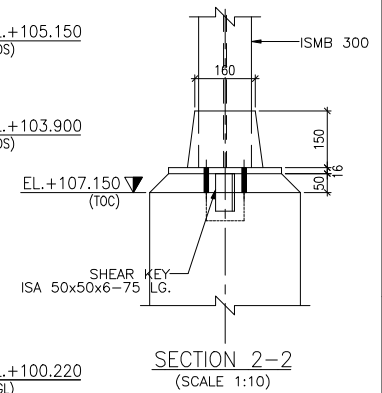
ELEVATION ALONG GRID-1
 (SIMILAR DETAILS ALONG GRID-A)
 (SCALE 1:50)



SECTION 1-1
 (SCALE 1:50)



DETAIL - A
 (SCALE 1:10)

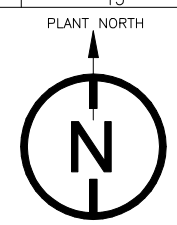
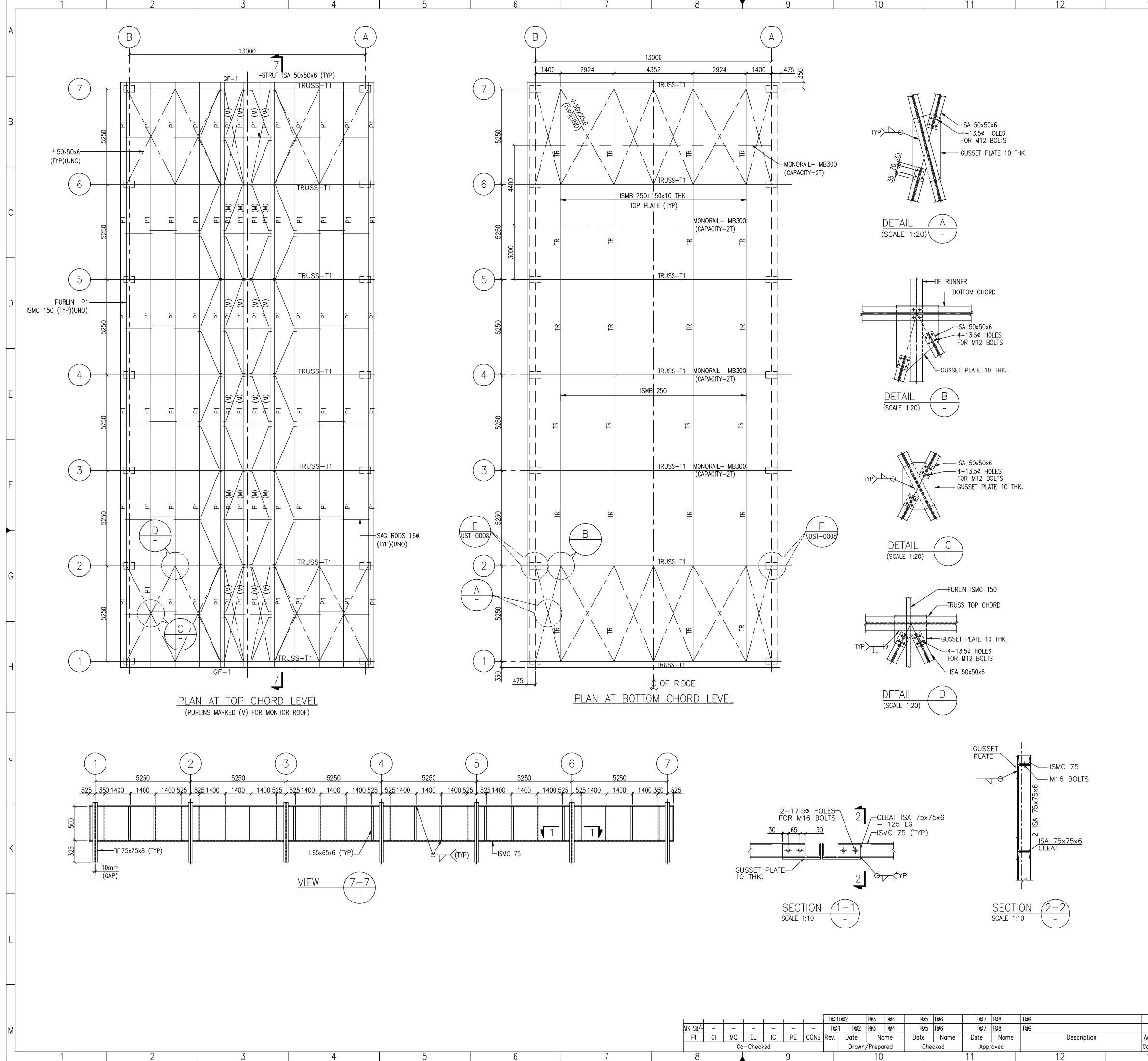


SECTION 2-2
 (SCALE 1:10)

THIS DRAWING SHALL BE READ IN CONJUNCTION WITH
 0130-CI-UST-0315

PI	CI	MQ	EL	IC	PE	CONS	Rev.	Date	Name	Date	Name	Date	Name	Description	Acc.
							B	20.08.07	PHI	PP	20.08.07	SP		ISSUED FOR APPROVAL	
							T01	T02	T03	T04	T05	T06	T07	T08	T09

Co-Checked: _____ Date: _____ Name: _____ Checked: _____ Date: _____ Name: _____ Approved: _____



NOTES:-
 1. ALL DIMENSIONS ARE IN MILLIMETERS, LEVELS & CO-ORDINATES ARE IN METERS U.N.O.
 2. FOR OTHER NOTES REFER DWG. NO. 0130-CI-USD-0026

ENGINEERING REFERENCE DRAWINGS:-

SR. NO.	DRAWING NO.	DESCRIPTION
1.	0130-PI-UG-0001	OVERALL PLOT PLAN
2.	0130-PI-UG-0027	EQPT. ARRANGEMENT PLAN NITROGEN PLANT ; PLANT AIR ; INSTRUMENT AIR SYSTEM; CL2 UNLOADING AIR PLAN AT EL.+100.220 & SECTION A-A/B-B
3.	0130-CI-USD-0026	GENERAL SPECIFICATION FOR STRUCTURAL STEEL

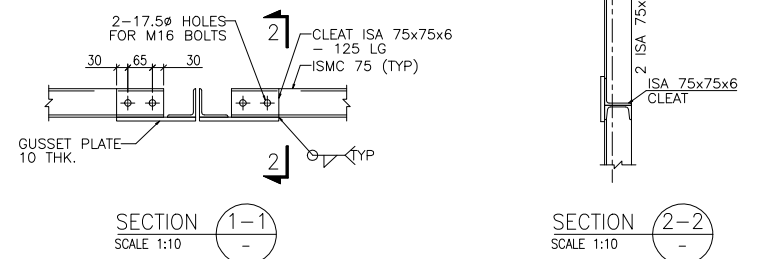
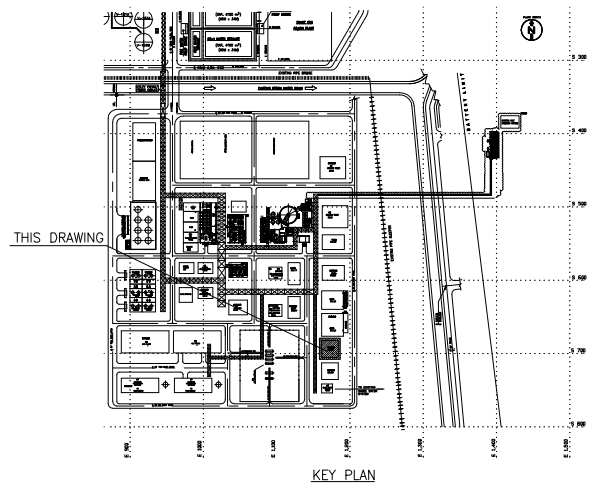
CONSTRUCTION REFERENCE DRAWINGS:-

SR. NO.	DRAWING NO.	DESCRIPTION
1.	CI-USD-0001	DETAILS OF ANCHOR BOLTS
2.	0130-CI-UST-0008	FRAMING PLAN OF ROOF TRUSS DETAILS
3.	CI-USD-0025	STANDARD DETAILS OF MONORAIL BEAMS.
4.	0130-CI-USD-0501	STANDARD DETAILS OF BRACINGS CONNECTION.

FOR BILL OF MATERIALS REFER DRG. NO 0130-CI-UST-0008

READ THIS DRAWING IN CONJUNCTION WITH DRG.NO. 0130-CI-UST-0008

EL.(+100.000 CORRESPONDS TO R.L.EL.(+11.850



Rev.	Date	Name	Date	Name	Description
T01	T02	T03	T04	T05	T06
PI	CI	MQ	EL	IC	PE
Co-Checked					
Rev.	Date	Name	Date	Name	Description
T01	T02	T03	T04	T05	T06
PI	CI	MQ	EL	IC	PE
Co-Checked					
Rev.	Date	Name	Date	Name	Description
T01	T02	T03	T04	T05	T06
PI	CI	MQ	EL	IC	PE
Co-Checked					

ISO A1