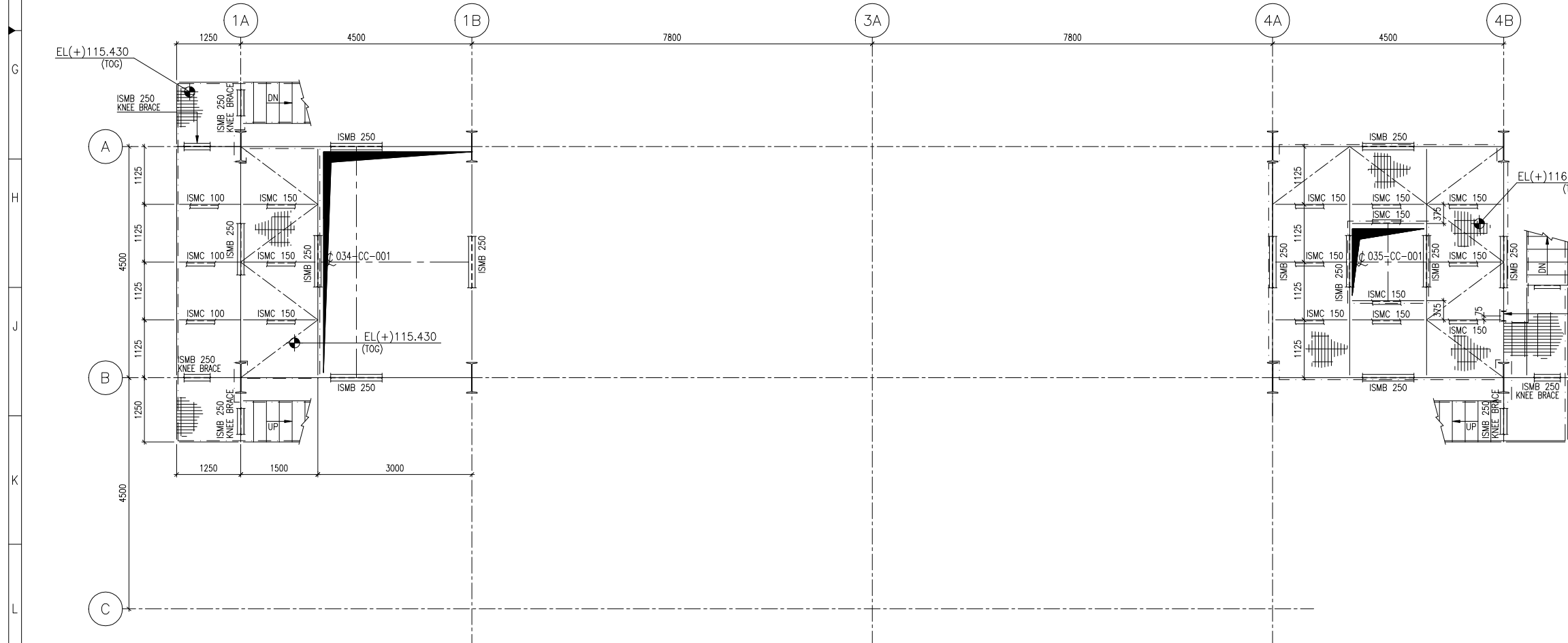
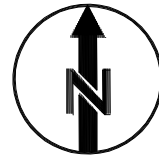


PLAN AT EL(+112.850 (TOS), EL(+113.350 (TOS) & EL(+114.350 (TOS)  
 TOP OF PLAN BRACINGS ARE 50mm BELOW TOS  
 PLAN BRACING AT TOS EL(+113.300 ARE 2xISA 65x65x8 (TYP) (UNO)  
 PLAN BRACING AT TOS EL(+112.800 ARE ISA 65x65x6



PLAN AT EL(+115.400 (TOS) & EL(+116.550 (TOS)  
 TOP OF PLAN BRACINGS ARE 50mm BELOW TOS  
 PLAN BRACING AT TOS EL(+115.350 ARE ISA 65x65x6  
 PLAN BRACING AT TOS EL(+116.500 ARE ISA 65x65x6



**NOTES:-**

- 1) ALL DIMENSIONS ARE IN MILLIMETERS, ELEVATIONS & CO-ORDINATES ARE IN METERS.
- 2) ELEVATION 98.84 (HPP OF UNIT) CORRESPONDS TO RL 80.69M ABOVE MSL.
- 3) ALL CONNECTIONS ARE SHEAR CONNECTIONS UNO.

**MATERIAL COMPLIANCE TABLE:-**

ITEM	COMPLIANCE/GRADE/CLASS
STRUCTURAL STEEL	IS 2062/GRADE A
FASTENER BOLTS	IS 1367/GRADE C/CLASS 8.80

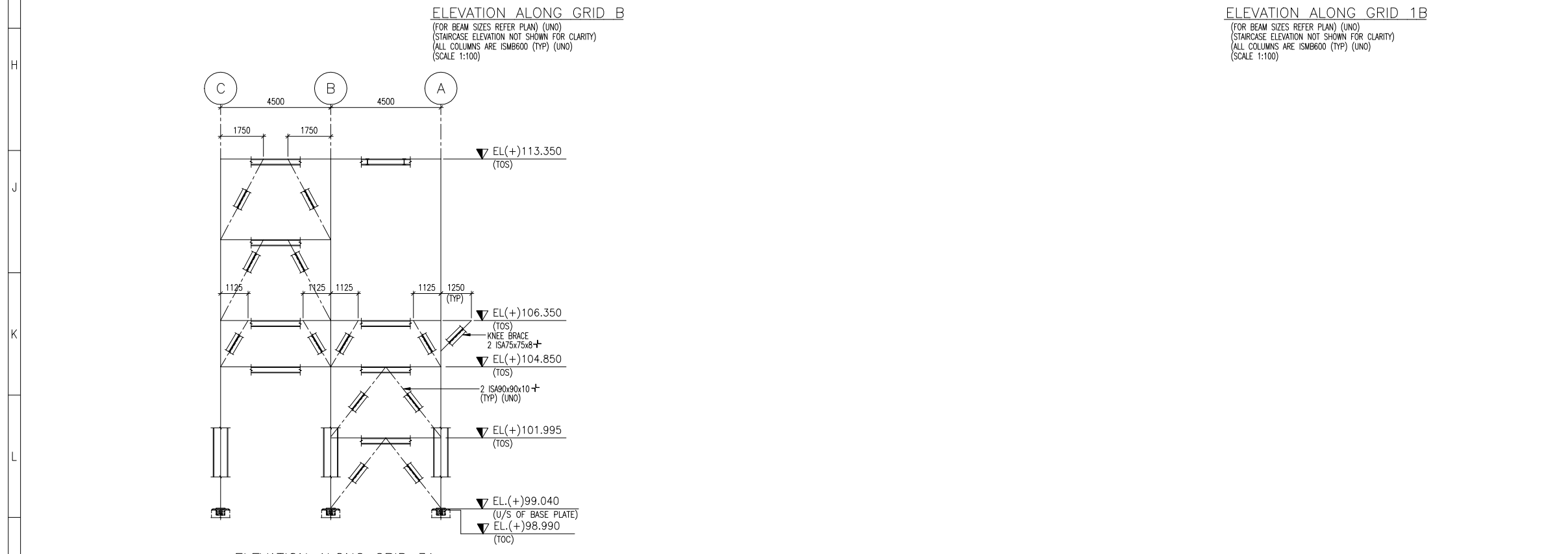
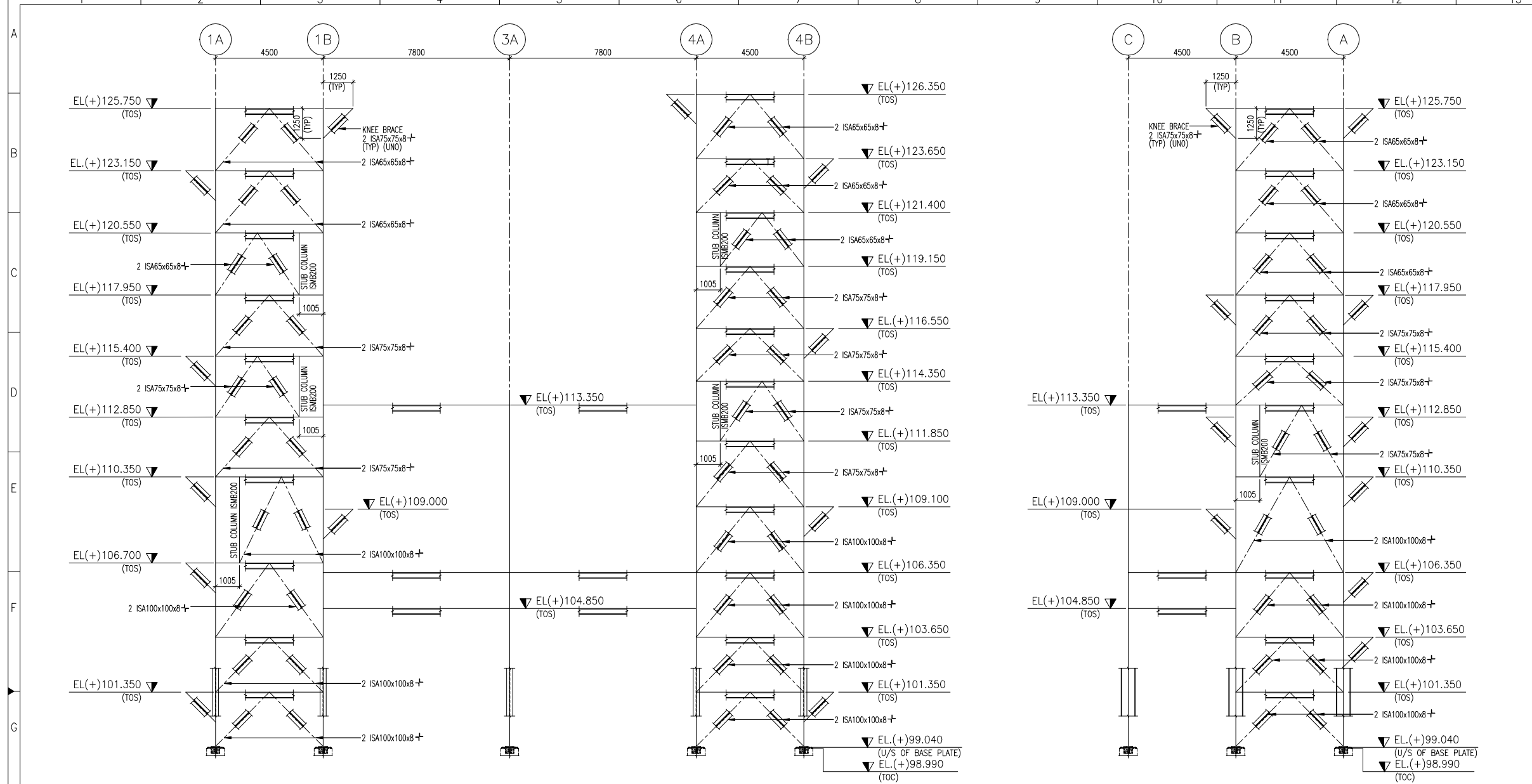
**ENGINEERING REFERENCE DRAWINGS:-**

SR. NO.	DRAWING NO.	DESCRIPTION
1	6462D-PI-UG-0001	EQUIPMENT LAYOUT PLAN FOR MSQ PLANT (UNIT-34 & 35)
2	6462D-PI-UG-0006	EQUIPMENT LAYOUT SECTION FOR MSQ PLANT (UNIT-34 & 35)

**CONSTRUCTION REFERENCE DRAWINGS:-**

SR. NO.	DRAWING NO.	DESCRIPTION
1	6462D-CI-USD-0026	GENERAL & SPECIFICATION NOTES FOR STRUCTURAL STEEL WORKS
2	6462D-CI-USD-0029	STANDARD DETAILS OF FIRE PROOFING FOR BEAMS, COLUMNS AND EQPT. SUPPORTS
3	CI-USD-0006	TYPICAL DETAILS OF STEEL GRATINGS
4	CI-USD-0083	STANDARD ENDPLATES, SINGLE SHEAR CONNECTIONS, BOLT ARRANGEMENTS & CAPACITIES GRADE 8.8 BOLTS
5	CI-USD-0085	STANDARD ENDPLATES, DOUBLE SHEAR CONNECTIONS, BOLT ARRANGEMENTS & CAPACITIES GRADE 8.8 BOLTS
6	CI-USD-0009	DETAILS OF HANDRAIL FOR STRUCTURAL STEEL & RCC FLOORS
7	6462-CI-USD-0087	STANDARD DETAILS OF BRACING CONNECTIONS
8	6462D-CI-UGB-0006	LAYOUT OF PEDESTALS PILECAPS AND EQUIPMENT FOUNDATIONS FOR TECH. STRUCTURE (034-035)
9	6462D-CI-UST-0007	LAYOUT AND DETAILS OF BASE PLATES FOR TECH. STRUCTURE 3 (034-035) PLAN AT EL(+109.040 (U/S OF BASEPLATE)
10	6462-CI-UST-0087	STRUCTURAL STEEL LAYOUT FOR TECH. STRUCTURE 3 (034-035) PLAN AT EL(+101.350, 103.650, 104.850 (TOS)
11	6462-CI-UST-0088	STRUCTURAL STEEL LAYOUT FOR TECH. STRUCTURE 3 (034-035) PLAN AT EL(+106.350, 106.700, 110.350, 111.850 (TOS)
12	6462-CI-UST-0090	STRUCTURAL STEEL LAYOUT FOR TECH. STRUCTURE 3 (034-035) PLAN AT EL(+117.950, 119.150, 120.550, 123.650 (TOS)
13	6462-CI-UST-0091	STRUCTURAL STEEL LAYOUT FOR TECH. STRUCTURE 3 (034-035) PLAN AT EL(+117.950, 119.150, 120.550, 123.650 (TOS)
14	6462-CI-UST-0008	STRUCTURAL STEEL ELEVATIONS FOR TECH. STRUCTURE 3 (034-035) ALONG GRID A, 1A & C
15	6462-CI-UST-0092	STRUCTURAL STEEL ELEVATIONS FOR TECH. STRUCTURE 3 (034-035) ALONG GRID B, 1B & 3A
16	6462-CI-UST-0099	STRUCTURAL STEEL ELEVATIONS FOR TECH. STRUCTURE 3 (034-035) ALONG GRID 4A & 4B
17	6462-CI-UST-0093	LAYOUT OF STEEL STAIRCASE AROUND AROUND EQUIPMENT 034-CC-001 OF TECH. STRUCTURE 3 (034-035) SHEET 1 OF 2.
18	6462-CI-UST-0094	LAYOUT OF STEEL STAIRCASE AROUND AROUND EQUIPMENT 034-CC-001 OF TECH. STRUCTURE 3 (034-035) SHEET 2 OF 2.
19	6462-CI-UST-0095	ELEVATION OF STEEL STAIRCASE AROUND AROUND EQUIPMENT 034-CC-001 OF TECH. STRUCTURE 3 (034-035)
20	6462-CI-UST-0096	LAYOUT OF STEEL STAIRCASE AROUND AROUND EQUIPMENT 035-CC-001 OF TECH. STRUCTURE 3 (034-035) SHEET 1 OF 2.
21	6462-CI-UST-0097	LAYOUT OF STEEL STAIRCASE AROUND AROUND EQUIPMENT 035-CC-001 OF TECH. STRUCTURE 3 (034-035) SHEET 2 OF 2.
22	6462-CI-UST-0098	ELEVATION OF STEEL STAIRCASE AROUND AROUND EQUIPMENT 035-CC-001 OF TECH. STRUCTURE 3 (034-035)
23		

SMC	PI	CI	MO	MS	PPC	EL	IC	PE	CONS	Rev.	Date	PH SP	Name	Date	CDD	Name	Date	ABG	Name	Date	RELEASED FOR COMMENTS	Acc. Code
											14.01.09											
Co-Checked											Drawn/Prepared		Checked		Approved		Description		Acc. Code			



**NOTES:-**  
 1) ALL DIMENSIONS ARE IN MILLIMETERS, ELEVATIONS & CO-ORDINATES ARE IN METERS.  
 2) ELEVATION 98.84 (HPP OF UNIT) CORRESPONDS TO RL 80.69M ABOVE MSL.  
 3) ALL CONNECTIONS ARE SHEAR CONNECTIONS UNO.

**MATERIAL COMPLIANCE TABLE:-**

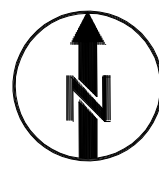
ITEM	COMPLIANCE/GRADE/CLASS
STRUCTURAL STEEL	IS 2062/GRADE A
FASTENER BOLTS	IS 1367/GRADE C/CLASS 8.80

**ENGINEERING REFERENCE DRAWINGS:-**

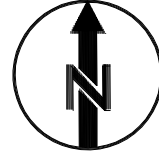
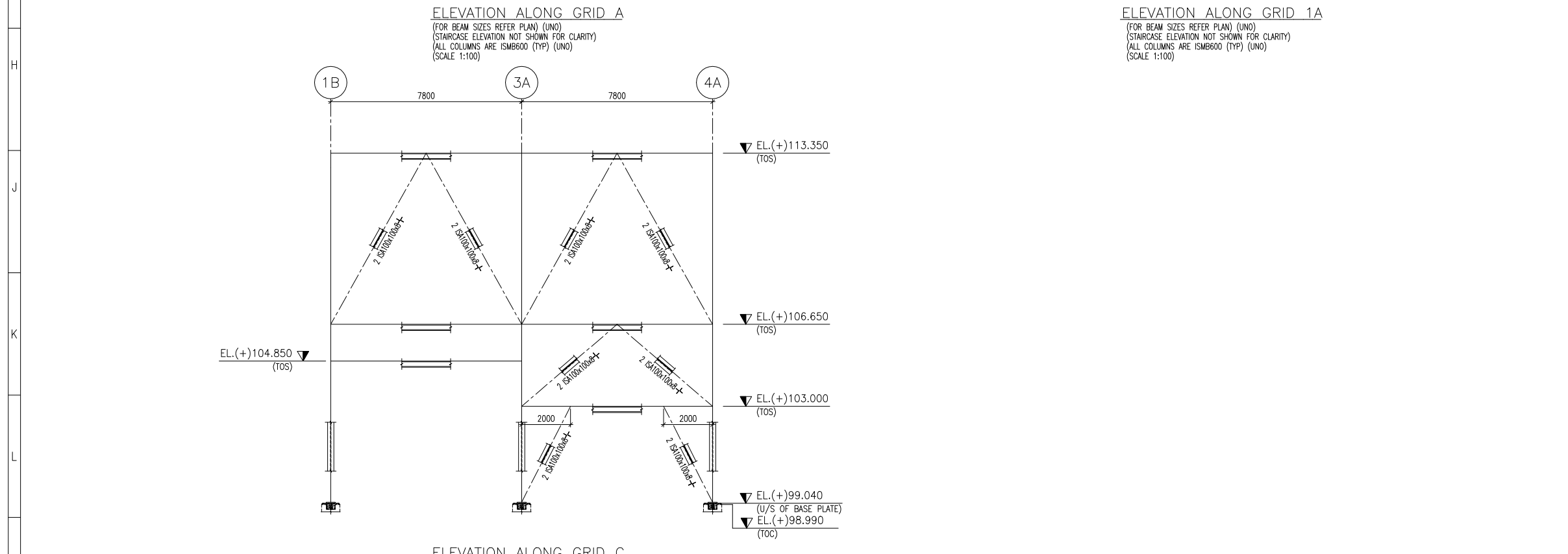
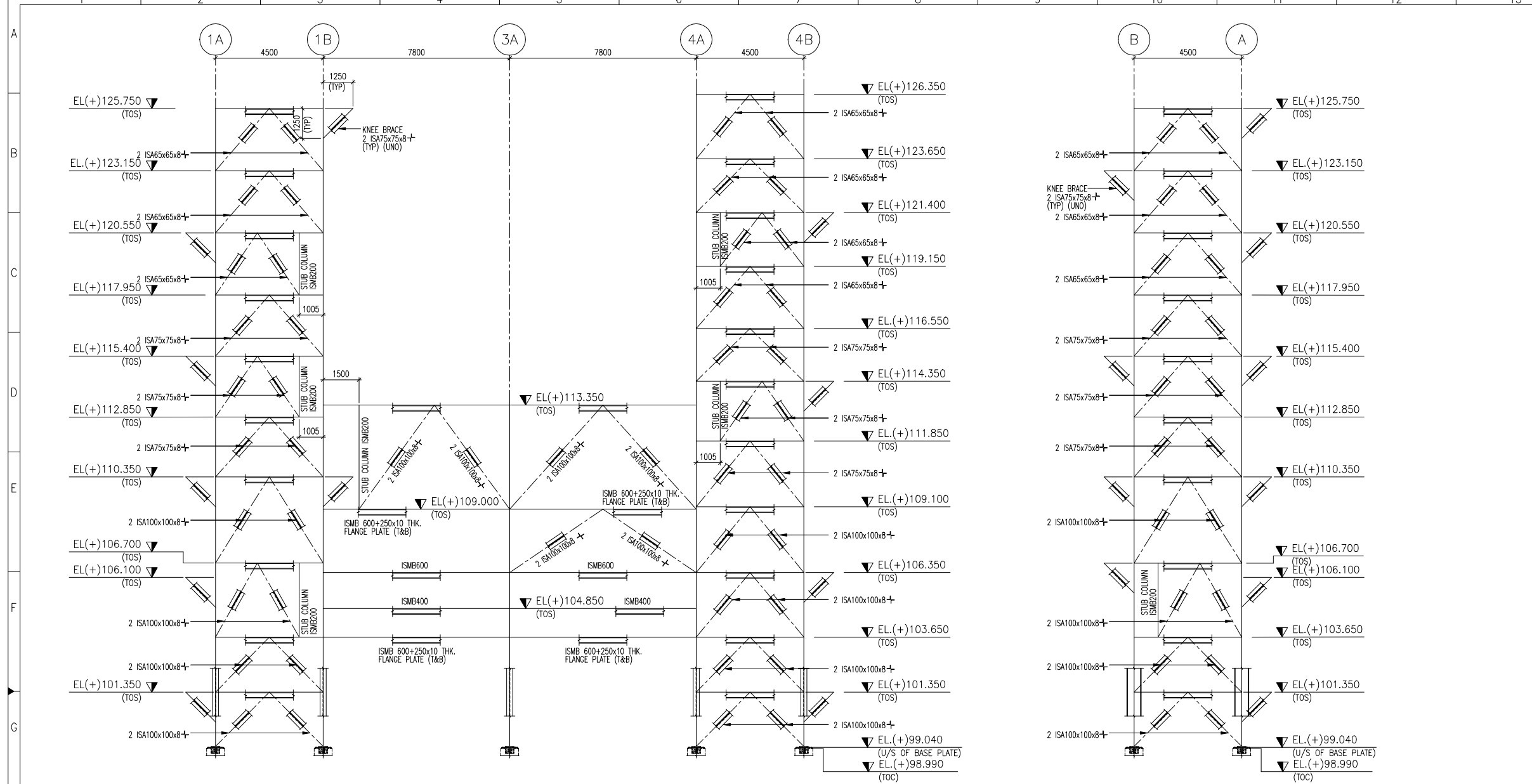
SR. NO.	DRAWING NO.	DESCRIPTION
1	6462D-PI-UG-0001	EQUIPMENT LAYOUT PLAN FOR MSQ PLANT (UNIT-34 & 35)
2	6462D-PI-UG-0006	EQUIPMENT LAYOUT SECTION FOR MSQ PLANT (UNIT-34 & 35)

**CONSTRUCTION REFERENCE DRAWINGS:-**

SR. NO.	DRAWING NO.	DESCRIPTION
1	6462D-CI-USD-0026	GENERAL & SPECIFICATION NOTES FOR STRUCTURAL STEEL WORKS
2	CI-USD-0006	TYPICAL DETAILS OF STEEL GRATINGS
3	CI-USD-0083	STANDARD ENDOPLATES, SINGLE SHEAR CONNECTIONS, BOLT ARRANGEMENTS & CAPACITIES GRADE 8.8 BOLTS
4	CI-USD-0085	STANDARD ENDOPLATES, DOUBLE SHEAR CONNECTIONS, BOLT ARRANGEMENTS & CAPACITIES GRADE 8.8 BOLTS
5	CI-USD-0009	DETAILS OF HANDRAIL FOR STRUCTURAL STEEL & RCC FLOORS
6	6462-CI-USD-0087	STANDARD DETAILS OF BRACING CONNECTIONS
7	6462D-CI-UST-0007	LAYOUT AND DETAILS OF BASE PLATES FOR TECH. STRUCTURE 3 (034-035) PLAN AT EL(+99.040 (U/S OF BASEPLATE)
8	6462-CI-UST-0087	STRUCTURAL STEEL LAYOUT FOR TECH. STRUCTURE 3 (034-035) PLAN AT EL(+106.350, 106.700, 110.350, 111.850 (TOS)
9	6462-CI-UST-0088	STRUCTURAL STEEL LAYOUT FOR TECH. STRUCTURE 3 (034-035) PLAN AT EL(+112.850, 113.350, 114.350, 115.400, 116.550 (TOS)
10	6462-CI-UST-0089	STRUCTURAL STEEL LAYOUT FOR TECH. STRUCTURE 3 (034-035) PLAN AT EL(+117.950, 119.150, 120.550, 123.650 (TOS)
11	6462-CI-UST-0090	STRUCTURAL STEEL ELEVATIONS FOR TECH. STRUCTURE 3 (034-035) ALONG GRID
12	6462-CI-UST-0092	STRUCTURAL DETAILS OF STAIRCASE FOR TECH. STRUCTURE 3 (034-035)
13	6462-CI-UST-0093	STRUCTURAL DETAILS OF STAIRCASE FOR TECH. STRUCTURE 3 (034-035)
14	6462-CI-UST-0094	STRUCTURAL DETAILS OF STAIRCASE FOR TECH. STRUCTURE 3 (034-035)
15		



SMG	PI	CI	MO	MS	PPC	EL	IC	PE	CONS	Rev.	Date	PH SP	Name	Date	CDD	Name	Date	ABG	Name	Date	RELEASED FOR COMMENTS	Acc. Code
										00	23.01.09	PH SP										
Co-Checked											Drawn/Prepared	Checked	Approved	Description								



**NOTES:-**  
 1) ALL DIMENSIONS ARE IN MILLIMETERS, ELEVATIONS & CO-ORDINATES ARE IN METERS.  
 2) ELEVATION 98.84 (HPP OF UNIT) CORRESPONDS TO RL 80.69M ABOVE MSL.  
 3) ALL CONNECTIONS ARE SHEAR CONNECTIONS U.N.O.

**MATERIAL COMPLIANCE TABLE:-**

ITEM	COMPLIANCE/GRADE/CLASS
STRUCTURAL STEEL	IS 2062/GRADE A
FASTENER BOLTS	IS 1367/GRADE C/CLASS 8.80

**ENGINEERING REFERENCE DRAWINGS:-**

SR. NO.	DRAWING NO.	DESCRIPTION
1	6462D-PI-UG-0001	EQUIPMENT LAYOUT PLAN FOR MSQ PLANT (UNIT-34 & 35)
2	6462D-PI-UG-0006	EQUIPMENT LAYOUT SECTION FOR MSQ PLANT (UNIT-34 & 35)

**CONSTRUCTION REFERENCE DRAWINGS:-**

SR. NO.	DRAWING NO.	DESCRIPTION
1	6462D-CI-USD-0026	GENERAL & SPECIFICATION NOTES FOR STRUCTURAL STEEL WORKS
2	CI-USD-0006	TYPICAL DETAILS OF STEEL GRATINGS
3	CI-USD-0083	STANDARD ENDOPLATES, SINGLE SHEAR CONNECTIONS, BOLT ARRANGEMENTS & CAPACITIES GRADE 8.8 BOLTS
4	CI-USD-0085	STANDARD ENDOPLATES, DOUBLE SHEAR CONNECTIONS, BOLT ARRANGEMENTS & CAPACITIES GRADE 8.8 BOLTS
5	CI-USD-0009	DETAILS OF HANDRAIL FOR STRUCTURAL STEEL & RCC FLOORS
6	6462-CI-USD-0087	STANDARD DETAILS OF BRACING CONNECTIONS
7	6462D-CI-UST-0007	LAYOUT AND DETAILS OF BASE PLATES FOR TECH. STRUCTURE 3 (034-035) PLAN AT EL(+99.040) (U/S OF BASEPLATE)
8	6462-CI-UST-0087	STRUCTURAL STEEL LAYOUT FOR TECH. STRUCTURE 3 (034-035) PLAN AT EL(+101.350, 103.650, 104.850 (TOS))
9	6462-CI-UST-0088	STRUCTURAL STEEL LAYOUT FOR TECH. STRUCTURE 3 (034-035) PLAN AT EL(+106.350, 106.700, 110.350, 111.850 (TOS))
10	6462-CI-UST-0089	STRUCTURAL STEEL LAYOUT FOR TECH. STRUCTURE 3 (034-035) PLAN AT EL(+112.850, 113.350, 114.350, 115.400, 116.550 (TOS))
11	6462-CI-UST-0090	STRUCTURAL STEEL LAYOUT FOR TECH. STRUCTURE 3 (034-035) PLAN AT EL(+117.950, 119.150, 120.550, 123.650 (TOS))
12	6462-CI-UST-0092	STRUCTURAL STEEL ELEVATIONS FOR TECH. STRUCTURE 3 (034-035) ALONG GRID
13	6462-CI-UST-0093	STRUCTURAL DETAILS OF STAIRCASE FOR TECH. STRUCTURE 3 (034-035)
14	6462-CI-UST-0094	STRUCTURAL DETAILS OF STAIRCASE FOR TECH. STRUCTURE 3 (034-035)
15		

SMG	PI	CI	MO	MS	PPC	EL	IC	PE	CONS	Rev.	Date	Name	Date	Name	Date	Name	RELEASED FOR COMMENTS	Acc. Code
										00	22.01.09	PHI/SP		ABG				
												Drawn/Prepared	Checked	Approved			Description	
												Co-Checked						